

## Notes on replacement of P/AMEC-C / P/A/DSEP-C/CW with P/A/DCON-CYB

Please be advised of the following notes for replacement.

- In accordance with the discontinuation of P/AMEC-C / P/A/DSEP-C/CW, P/AMEC-C / P/A/DSEP-C/CW (controller) will be replaced with P/A/DCON-CYB (controller).

(discontinued)  
P/AMEC-C  
P/A/DSEP-C/CW



(replacement model)  
P/A/DCON-CYB

### [P/AMEC-C]

- \* A separate 24-VDC power supply (PSA-24, etc.) will be required.
- \* When a USB cable is used for the connection to PC, RCB-CV-USB (USB conversion adaptor) and CB-RCA-SIO0050 (external communication cable) will be required additionally.
- \* For the operation pattern with 3-point stop (2-input 3-point movement), this replacement does not apply.  
(For similar operation patterns, refer to the notes (details).)

### [P/A/DSEP-C/CW]

- \* P/A/DSEP-CW cannot be replaced since it is a dust-proof type (IP53).
- \* For some of operation patterns  
(PIO pattern 1 (2-point movement (traveling speed change)),  
PIO pattern 2 (2-point movement (target position change)),  
PIO pattern 3 (2-input 3-point movement)),  
this replacement does not apply.  
(For similar operation patterns, refer to the notes (details).)
- \* P/A/DCON-CYB is not compatible with simple absolute.

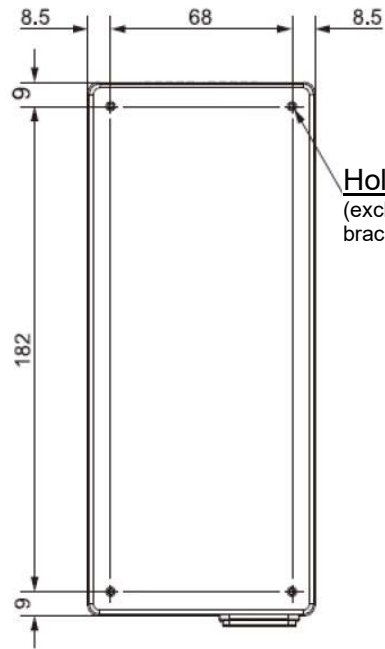
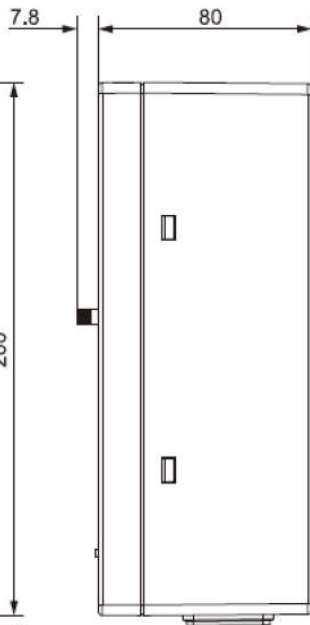
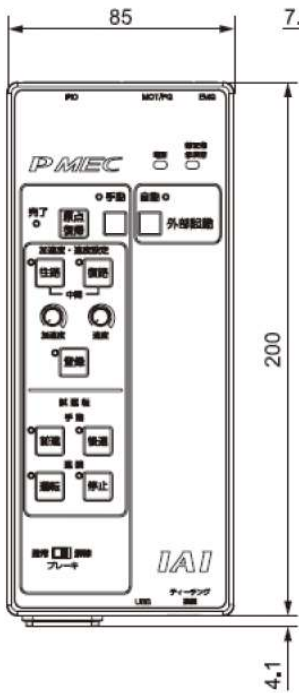
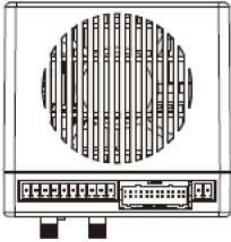
**The details of notes are as follows.**

💡 Notes (details)

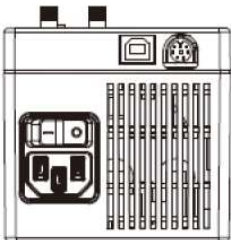
1. External dimensions / installation dimensions

The external dimensions and installation dimensions vary between P/AMEC-C / P/A/DSEP-C/CW and P/A/DCON-CYB.

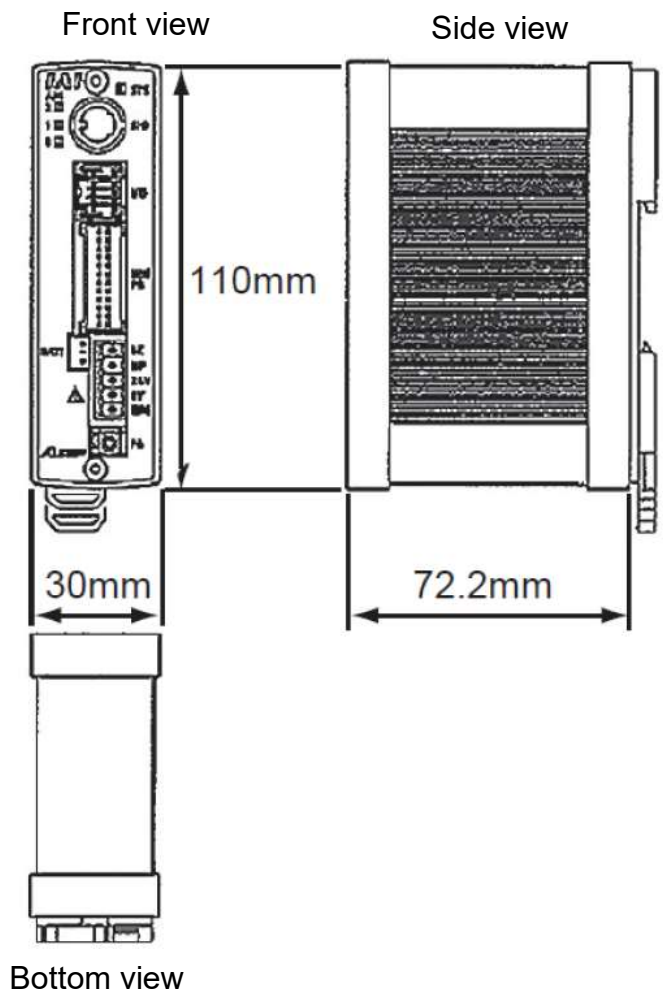
■ P/AMEC-C



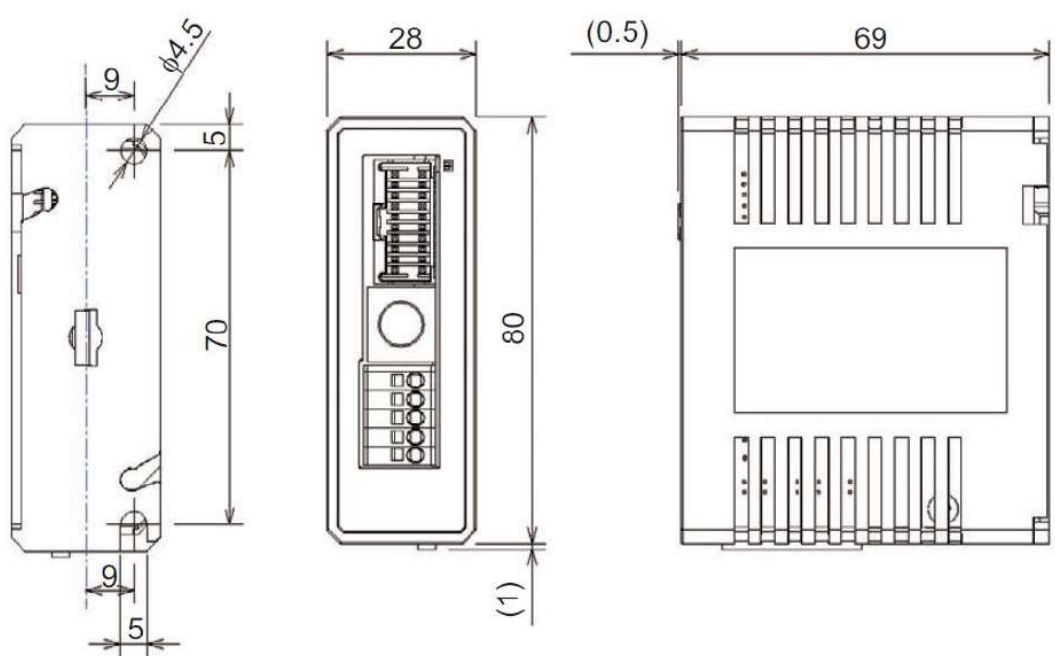
Hole for 4-M3 tapping screw  
(exclusively for screws supplied with brackets)



■ P/A/DSEP-C



■ P/A/DCON-CYB



## 2. General specifications

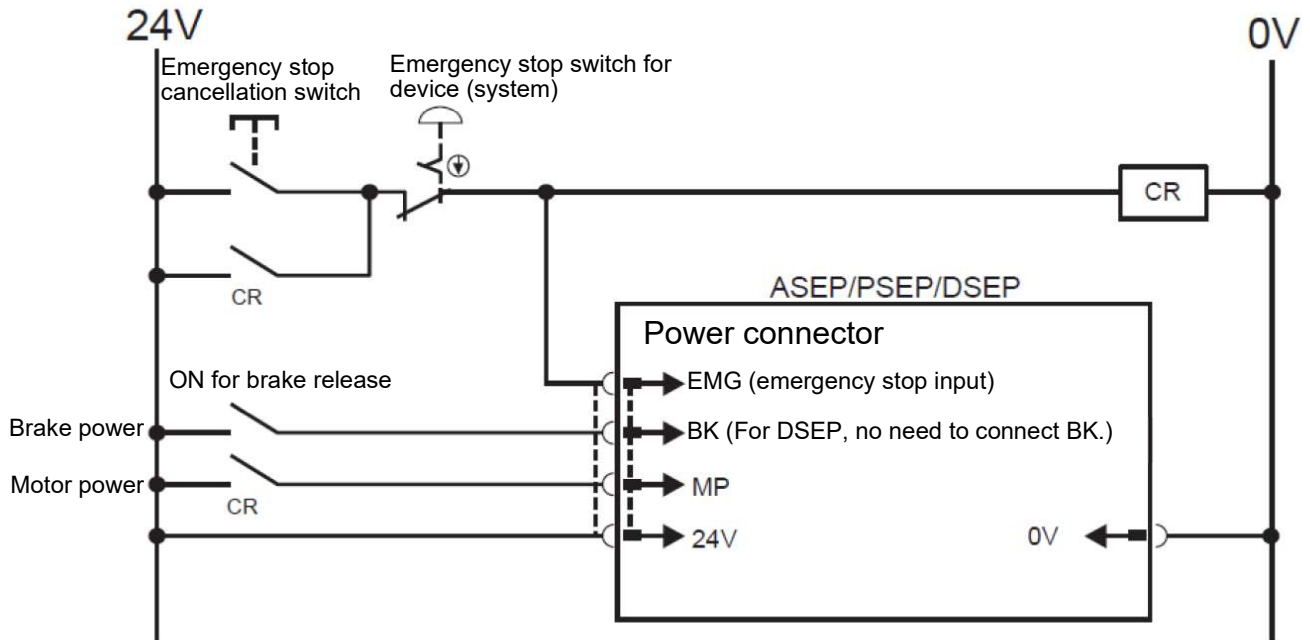
Item	Discontinued product		Replacement product
	P/AMEC-C	P/A/DSEP-C	P/A/DCON-CYB
Power-supply voltage	100 to 115 VAC±10% 100 to 240 VAC±10% (PMEC only)	24 VDC±10%	24 VDC±10%
Number of connectable axes	1 axis	1 axis	1 axis
Connectable actuator	<PMEC> RCP2, RCP3 series	<PSEP> RCP2, RCP3 series	<PCON> RCP2, RCP3, RCP4, RCP5, RCP6 series
	<AMEC> RCA, RCA2, RCL series	<ASEP> RCA, RCA2, RCL series	<ACON> CA, RCA2, RCL series
		<DSEP> RCD series	<DCON> RCD series
Position detection method	Incremental	Incremental Simple absolute (P/ASEP)	Incremental Battery-less absolute (P/ACON)
Number of positioning points	2 points or 3 points	2 points or 3 points	Maximum 64 points
Number of I/O points	Input 4 points / output 4 points	Input 4 points / output 4 points	Input 8 points / output 8 points
Power supply for I/O	Externally supplied 24 VDC±10%	Externally supplied 24 VDC±10%	Externally supplied 24 VDC±10%
Serial communication	RS485 1ch / USB 1ch	RS485 1ch	RS485 1ch

### 3. Power supply / emergency stop wiring

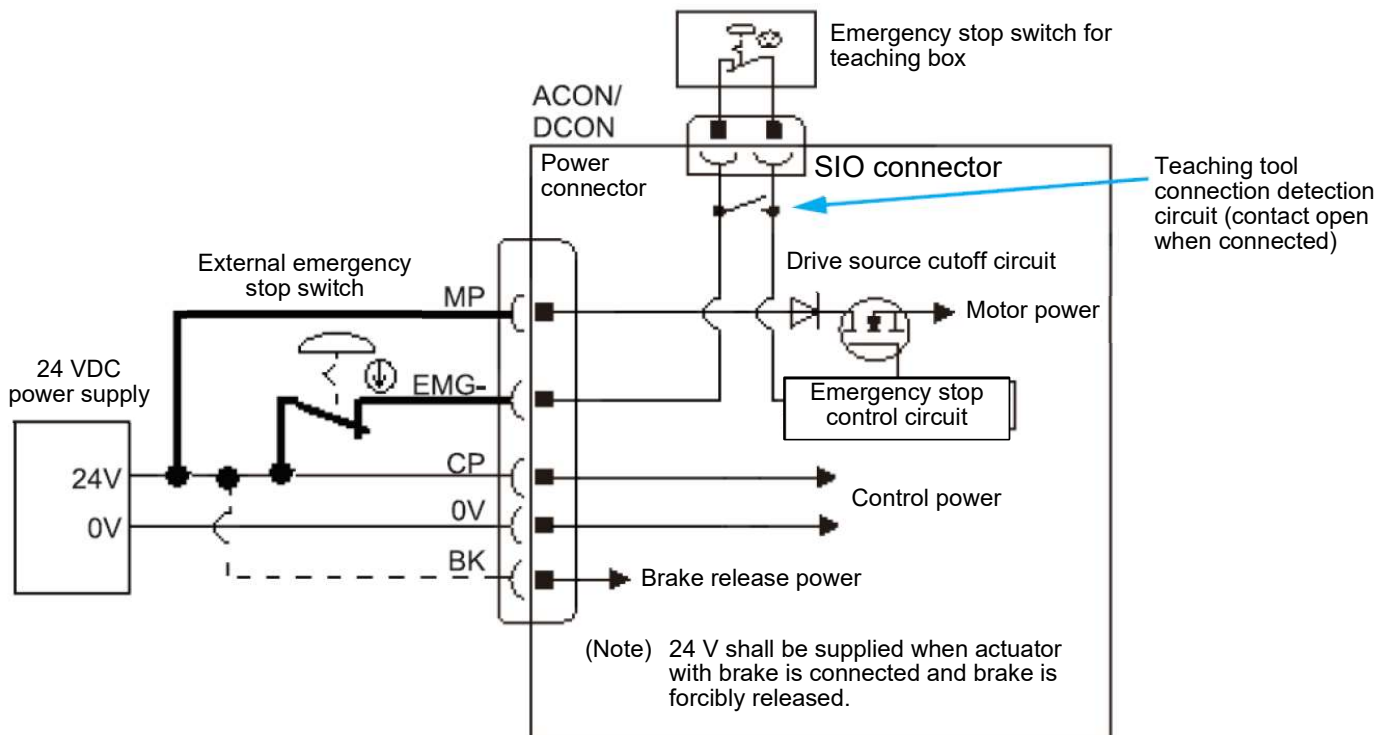
#### (1) Power supply / emergency stop wiring

The wiring for power supply and emergency stop is the same for P/ADSEP-C and P/A/DCON-CYB.

#### ■ P/A/DSEP-C power supply / emergency stop wiring



#### ■ P/A/DCON-CYB power supply / emergency stop wiring



#### 4. I/O wiring

Since the connector shape is different, the controller I/O cable which was used before cannot be used for P/ADCON-CYB as is. Refer to a user manual, etc., and newly wire after choosing signals. Please note that some operation patterns cannot be replaced. Switch to a similar operation pattern. (The ladder program must be changed.)

##### ■ P/AMEC-C operation pattern replacement

P/AMEC-C	Replacement to P/ACON-CYB	Switch to similar pattern (recommended)
1-input 2-point movement (single solenoid type)	PIO pattern 3 Single solenoid mode	-
2-input 2-point movement (double solenoid type)	PIO pattern 3 Double solenoid mode	-
2-input 3-point movement (3-point positioning)	Replacement not available	Switch to PIO pattern 2 in solenoid valve mode 2 is recommended.

##### ■ P/A/DSEP-C operation pattern replacement

P/A/DSEP-C		Replacement to P/A/DCON-CYB	Switch to similar pattern (recommended)
PIO Pattern 0	Single solenoid type (standard 2-point movement)	PIO pattern 3 Single solenoid mode	-
	Double solenoid type (standard 2-point movement)	PIO pattern 4 Double solenoid mode	-
PIO pattern 1	Single solenoid type (traveling speed change)	Replacement not available	Switch to PIO pattern 0 in positioning mode is recommended. (Note 1)
	Double solenoid type (traveling speed change)	Replacement not available	Switch to PIO pattern 0 in positioning mode is recommended. (Note 1)
PIO pattern 2	Single solenoid type (target position change)	Replacement not available	Switch to PIO pattern 0 in positioning mode is recommended. (Note 1)
	Double solenoid type (target position change)	Replacement not available	Switch to PIO pattern 0 in positioning mode is recommended. (Note 1)
PIO pattern 3	2-input 3-point movement	Replacement not available	Switch to PIO pattern 2 in solenoid valve mode 2 is recommended.
PIO pattern 4	3-input 3-point movement	PIO pattern 2 Solenoid valve mode 2	-
PIO pattern 5	Continuous reciprocal operation	PIO pattern 4 Double solenoid mode	-

(Note 1) The same operation pattern setting cannot be used. The ladder program must be changed.

## 5. Control by serial communication

Serial communication port RS485 is common to all controllers.

\* For P/AMEC-C, when a USB cable is used for connection to PC, RCB-CV-USB (USB conversion adaptor) and CB-RCA-SIO0050 (external device communication cable) are additionally required.

## 6. Motor/encoder cable

The same motor/encoder cable can be used as is.

## 7. Various internal data

### (1) Parameter

The parameters are not compatible.

When a controller is purchased, the parameters for the actuator to be connected shall be set.

### (2) Position data

The position data is not compatible.

## 8. Data input tool (teaching box/PC software)

The data input tool is common to all controllers.

### (1) Teaching box that can be connected to P/A/CCON-CYB

- TB-02 (recommended model)



### (2) PC software

When PC software exclusively for MEC is used, teaching software exclusively for PC (exclusively for Windows) is necessary.

- IA-OS (recommended software)

### Teaching software exclusively for PC (exclusively for Windows)

**Features** Startup support software with functions such as position input, test run and monitoring. With enhanced functions necessary for adjustment, startup time can be saved.

**Model** **IA-OS** (Software only, for customers who already have dedicated connection cable)

**Standard price** **80 USD** For compatible versions, refer to our website.

**Configuration**



(Customer's dedicated connection cable)



Compatible Windows: 7/10



-

## 9. Function/performance improvement

- (1) Maximum 64 points for positioning
- (2) Compatible with battery-less absolute encoder equipped products
- (3) PowerCON supported
- (4) Smart tuning function equipped
- (5) Enhanced monitoring function

## 10. Contact

Should you have any questions, please feel free to reach us to the following contact numbers.

### IAI Customer Service Center “Eight”

To give you peace of mind, we are here for you **24** hours a day.

 **0800-888-0088**

Toll free


**FAX.0800-888-0099**

(Service hours) 24 hours Monday through Friday (7:00 AM Monday through 7:00 AM Saturday)

Saturday, Sunday, public holidays: 8:00 AM to 5:00 PM

(excluding year-end/new year holidays)

\* If you have problem connecting to the toll-free number above, contact us at this number (toll-free).

 **TEL.0120-119-480 FAX.0120-119-486**

Thank you.