

Safety Category 4 Compatible Teaching Pendant

For Position Controller

For Program Controller

**CON-TG**  
**SEL-TG**



# ROBO Cylinder is compatible with **Safety Category 4**



For position controller  
Safety Category Compatible Teaching Pendant  
Model CON-TG-S



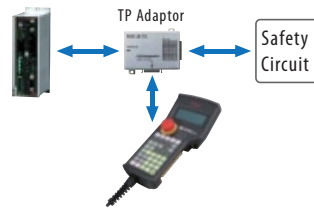
For Program Controller  
Safety Category Compatible Teaching Pendant  
Model SEL-TG-26H (for PSEL/ASEL/SSEL)  
SEL-TG-25 (for XSEL)

## Equipment Safety Support

### Features

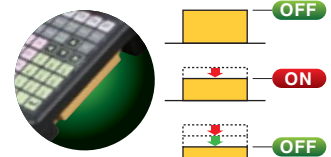
#### 1 Compatible with Safety Category Class 4 with addition of external safety circuit

The TP adaptor accessory makes it possible to add an external safety circuit so that controllers that were not safety category compatible in the past can be made compatible with, at most, Safety Category Class 4.



#### 2 Equipped with ANSI Robot Standard Compatible 3-position enabling switch

Equipped with an ergonomic 3-position enabling switch, safety is vastly improved during test runs, step switching, and maintenance.



#### 3 Improved environment resistance (Protective structure IP54)

The IP54 protective structure facilitates use in adverse environmental conditions, such as dust and water spray, etc.



#### 4 Support provided for exported equipment, and equipment moved overseas

Complies with CE/UL standards. Use outside of Japan with confidence.



### Teaching Pendant Controller Compatibility Table

		CON-T	CON-TG-S	SEL-T	SEL-T-J	SEL-TD	SEL-TD-J	SEL-TG-□
		Standard type	Safety Category Compatible Type	Standard type	Standard type With converter cable	Safety Category Compatible Type	Safety Category Compatible Type With converter cable	Safety Category Compatible Type
Position Controller	ERC2	○	×	×	×	×	×	×
	PCON/ACON/SCON	○	◎	×	×	×	×	×
	ROBONET	○	○	×	×	×	×	×
Program Controller	PSEL/ASEL/SSEL	×	×	○(Note 1)	○	○(Note 1)	○	◎
	XSEL-J	×	×	×	×	×	×	○
	XSEL-K	×	×	○	○	○	○	○
	XSEL-P	×	×	○	○	○	○	◎
	XSEL-Q	×	×	○	○	◎	◎	◎
	XSEL-KT	×	×	○	○	◎	◎	◎
	XSEL-KE	×	×	○	○	○	○	○
	XSEL-JX	×	×	×	×	×	×	○
	XSEL-KX	×	×	○	○	○	○	○
	XSEL-PX	×	×	○	○	○	○	◎
	XSEL-QX	×	×	○	○	◎	◎	◎

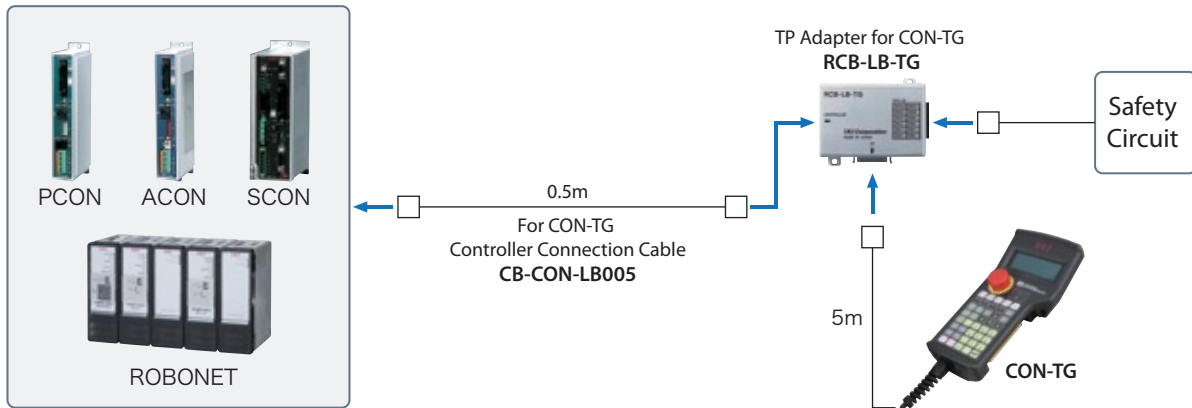
\*◎ indicates compatible with Safety Categories B through 4, ○ indicates incompatible with Safety Category, but connectible, and × indicates incompatible.  
(Note 1) Separate converter cable required to connect to PSEL/ASEL/SSEL.

## Specification

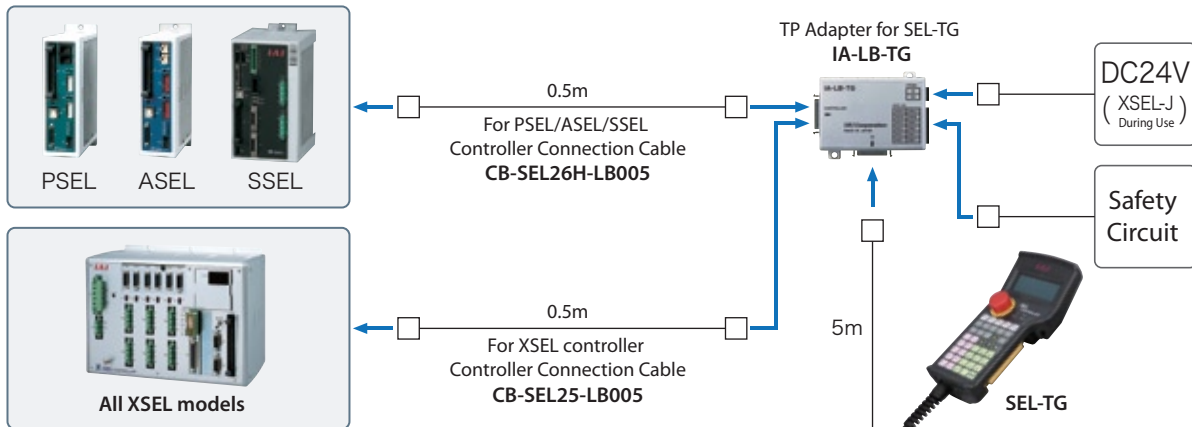
Item	Specification							
	CON-T	CON-TG-S	SEL-T	SEL-T-J	SEL-TD	SEL-TD-J	SEL-TG-26H	SEL-TG-25
Model	---	---	---	---	---	---	---	---
3 position enabling switch	×	○	×	×	○	○	○	○
ANSI Standard	×	○	×	×	○	○	○	○
CE Mark	○	○	○	○	○	○	○	○
UL Standard	×	○	×	×	○	○	○	○
Display	20 characters x 4 lines							
Ambient operating temperature, humidity	0 to 40°C, 10 to 90%RH (no condensation)							
Protective Structure	IP54							
Cable Length	5m							
Weight	Approx. 0.4kg (excluding cable)							
Accessory	—	<ul style="list-style-type: none"> <li>TP Adapter (Model IA-LB-TG)</li> <li>Dummy plug (Model DP-4)</li> <li>Controller connection cable (Model CB-CON-LB005)</li> </ul>	—	<ul style="list-style-type: none"> <li>Connector Converter Cable (Model CB-SEL-SJ002)</li> </ul>	—	<ul style="list-style-type: none"> <li>Connector Converter Cable (Model CB-SEL-SJ002)</li> </ul>	<ul style="list-style-type: none"> <li>TP Adapter (Model IA-LB-TG)</li> <li>Dummy plug (Model DP-4)</li> <li>Controller connection ca (Model CB-SEL26H-LB005)</li> </ul>	<ul style="list-style-type: none"> <li>TP Adapter (Model IA-LB-TG)</li> <li>Dummy plug (Model DP-4)</li> <li>Controller connection ca (Model CB-SEL25-LB005)</li> </ul>

## Wiring Diagram

### CON-TG Wiring Diagram

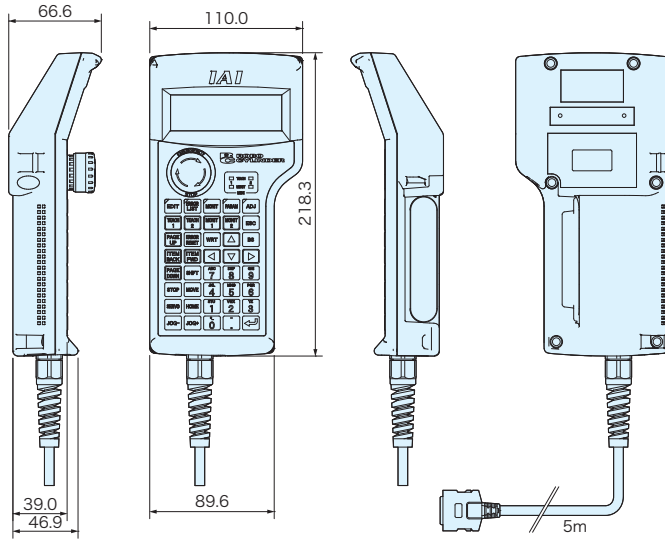


### SEL-TG Wiring Diagram



External Dimensions Drawing

· CON-TG/SEL-TG External Dimensions (the dimensions are common between the 2)

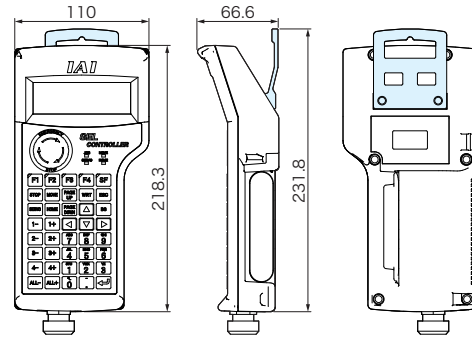


· Option

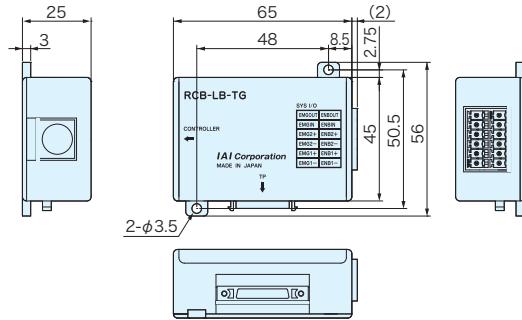
- Wall-mount hook, Model HK-1
- Strap, Model STR-1



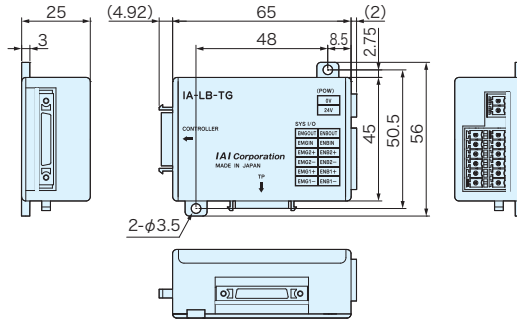
<with wall-mount hook, external dimensions drawing>



· TP Adapter for CON-TG, Model RCB-LB-TG



· TP Adapter for SEL-TG, Model IA-LB-TG



■ Precautions

In order to be safety category-compatible, the customer must not only use a safety category-compatible teaching pendant, but they must also incorporate a drive source disconnect safety circuit. The makeup of the circuit determines which safety category from Category B through Category 4 applies.

**IAI America, Inc.**

Head Office 2690W 237th Street Torrance CA 90505  
Chicago Office 1261 Hamilton Parkway Itasca, IL 60143

**IAI (Shanghai) Co., Ltd.**

SHANGHAI JIAHUA BUSINESS CENTER A8404.808  
Hongqiao Rd. shanghai 200030, China

www.intelligentactuator.com

Subject matter in this catalog may change without notice due to product improvements.

**IAI Industrieroboter GmbH**

Ober der Röth 4, D-65824 Schwalbach am Taunus, Germany

