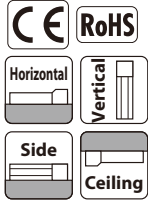


# EC-R6□W

Water Proof / Dust Proof	IP67	Rod Type	Motor Unit Type	Coupled Motor	Body Width 63 mm	24v Stepper Motor
--------------------------	------	----------	-----------------	---------------	------------------	-------------------

**Model Specification Items**  
**EC** — **R6** — **□** — **W** — **□** — **□** — **(□)**  
 Series — Type — Lead — Dust/Splash-proof — Stroke — Cable Length — Options  
 S : 20mm  
 H : 12mm  
 M : 6mm  
 L : 3mm  
 50: 50mm  
 300:300mm (Every 50mm)  
 0: With terminal block type connector  
 1:1m  
 2: 8.8m  
 Refer to Options below.

\* Please refer to P.16 for more information about the model specification items.



\* Depending on the model, there may be some limitations to using the vertical, side, and ceiling mount positions. Please contact IAI for more information regarding mounting positions.

### Table of Payload by Speed/Acceleration

Lead 20							Lead 12						
Orientation	Horizontal			Vertical			Orientation	Horizontal			Vertical		
	Acceleration (G)							Acceleration (G)					
Speed (mm/s)	0.3	0.5	0.7	1	0.3	0.5	Speed (mm/s)	0.3	0.5	0.7	1	0.3	0.5
0	6	6	5	5	1.5	1.5	0	25	18	16	12	4	4
160	6	6	5	5	1.5	1.5	100	25	18	16	12	4	4
320	6	6	5	3	1.5	1.5	200	25	18	16	10	4	4
480	6	6	5	3	1.5	1.5	400	20	14	10	6	4	4
640	6	4	3	2	1.5	1.5	500	15	8	6	4	3.5	3
800	4	3			1	1	700	6	2			2	1

Lead 6							Lead 3						
Orientation	Horizontal			Vertical			Orientation	Horizontal			Vertical		
	Acceleration (G)							Acceleration (G)					
Speed (mm/s)	0.3	0.5	0.7	1	0.3	0.5	Speed (mm/s)	0.3	0.5	0.7	1	0.3	0.5
0	40	35	30	25	10	10	0	60	50	45	40	12.5	12.5
50	40	35	30	25	10	10	50	60	50	45	40	12.5	12.5
100	40	35	30	25	10	10	100	60	50	45	40	12.5	12.5
200	40	30	25	20	10	10	125	60	50	40	30	10	10
250	40	27.5	22.5	18	9	8	175	40	35	25	20	6	5
350	30	14	12	10	5	5	200	35	30	20	14	5	4.5
400	18	10	6	5	3	3	225	16	16	10	6	5	4
450	8	3			2	1							



- (1) The maximum acceleration/deceleration is 1G for horizontal, and 0.5G for vertical use.
- (2) The actuator specifications display the payload's maximum value, but it will vary depending on the acceleration and speed. Please refer to "Table of Payload by Speed/Acceleration" at right for more details.
- (3) The value of the horizontal payload assumes that there is an external guide. Please be aware that the anti-rotation stopper can be damaged when an external force is applied to the rod from any direction other than the moving direction.
- (4) When performing push-motion operation, refer to P.65.
- (5) Depending on the ambient operating temperature, duty control is necessary. Please refer to P.67 for more information.
- (6) The interface box is not dust-proof or splash-proof. Install in a location not exposed to water.
- (7) The power capacity can be reduced according to the setting. Please refer to P.63 for the relevant "Table of Payload by Speed/Acceleration."

### Actuator Specifications

#### Lead and Payload

Model number	Lead (mm)	Max. payload		Max. push force (N)*
		Horizontal (kg)	Vertical (kg)	
EC-R6SW-①-②-③	20	6	1.5	56
EC-R6HW-①-②-③	12	25	4	93
EC-R6MW-①-②-③	6	40	10	185
EC-R6LW-①-②-③	3	60	12.5	370

Legend: ① Stroke ② Cable Length ③ Option

#### Stroke and Max Speed

Lead (mm)	Max Speed (Unit: mm/s)		
	50~200 (Every 50mm)	250 (mm)	300 (mm)
20	800		
12	700	547	
6	450	376	268
3	225	186	133

\*Speed limitation applies to push motion. See the manual or contact IAI.

#### ① Stroke

① Stroke (mm)	EC-R6□W	① Stroke (mm)	EC-R6□W
50	○	200	○
100	○	250	○
150	○	300	○

#### ② Cable Length

Cable code	Cable length
0	No cable (with connector)
1~3	1~3m
4~5	4~5m
6~8	6~8m

\* Make sure that the total length of the actuator cable and power I/O cable is 10m or less.

#### ③ Options

Name	Option code	Reference page
Actuator cable length: 5m	AC5	See P.59
Brake	B	See P.59
Flange (front)	FL	See P.59
Foot bracket	FT	See P.60
Tip adapter (internal thread)	NFA	See P.61
Non-motor end specification	NM	See P.62
PNP specification	PN	See P.62
Battery-less Absolute Encoder specification	WA	See P.62
Wireless communication specification	WL	See P.62

#### Actuator Specifications

Item	Description
Drive system	Ball screw φ10mm, rolled C10
Positioning repeatability	±0.05mm
Rod	φ25mm Material: Aluminum, hard alumite treatment
Rod tip static allowable torque	0.5N·m
Rod tip maximum angular displacement (*)	±1.5 degrees
Degree of protection	IP67
Ambient operating temperature/humidity	0 to 40°C, 85% RH or less (Non-condensing)

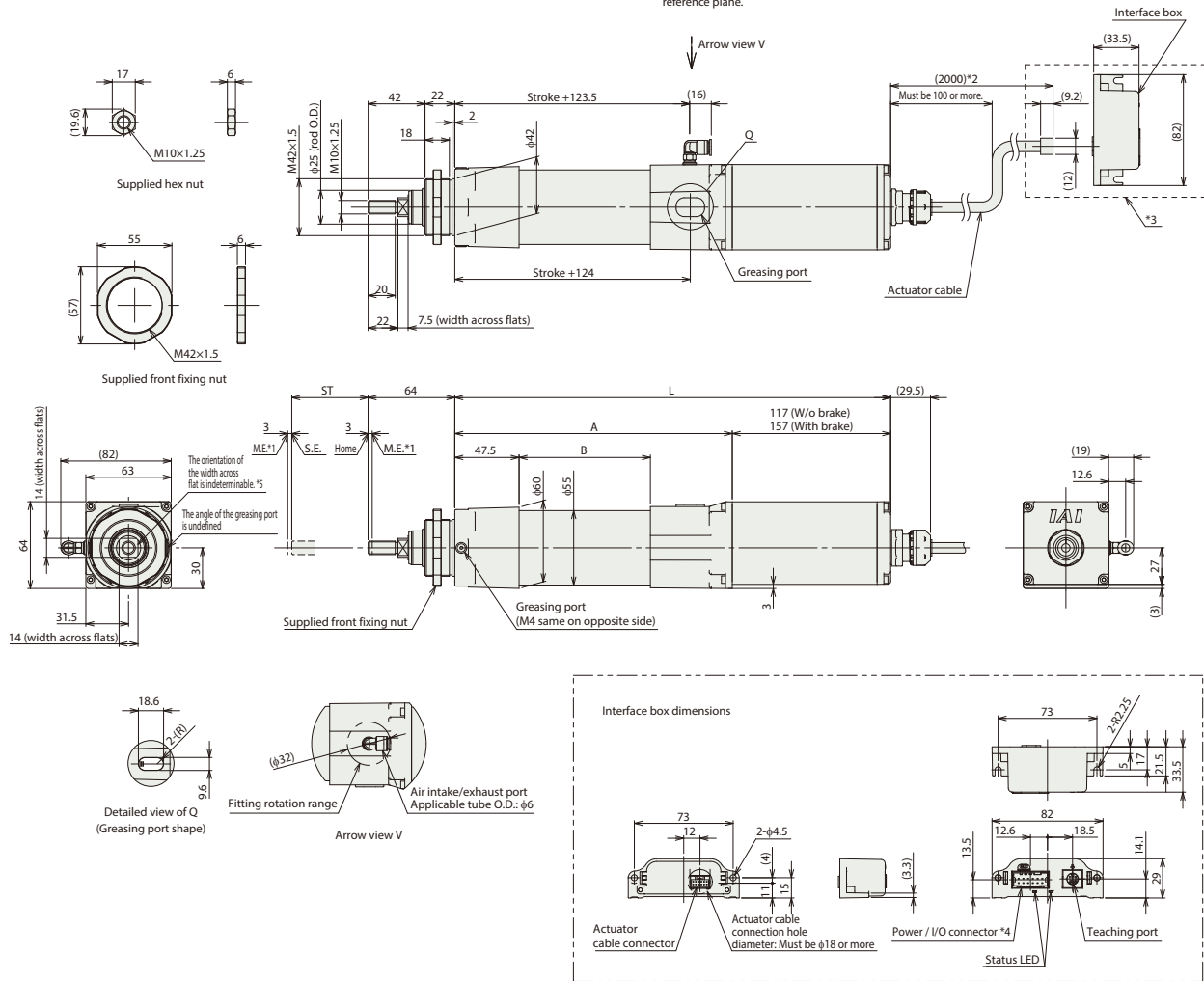
(\*) The rod tip angular displacement (initial value for reference) when the allowable static torque on rod tip is applied with the rod fully retracted.

Dimensions

CAD drawings can be downloaded from our website.  
www.intelligentactuator.com



- \*1 When the rod is returning to its home position, please be careful of interference from surrounding objects, as it will travel until it reaches the M.E.
- M.E: Mechanical end S.E: Stroke end
- \*2 The length of the actuator cable can be set to 5m as an option.
- \*3 The interface box relay section within the dashed line is not dust-proof or splash-proof.
- \*4 Make sure that the total length of the actuator cable and power I/O cable is 10m or less.
- \*5 The direction of width across flats varies depending on the product. Those flats cannot be used for reference plane.



■ Dimensions and Mass by Stroke

Stroke	50	100	150	200	250	300	
L	W/o Brake	322	372	422	472	522	572
	With Brake	362	412	462	512	562	612
	A	205	255	305	355	405	455
B	97	147	197	247	297	347	
Weight (kg)	W/o Brake	1.8	2.0	2.2	2.4	2.6	2.8
	With Brake	2.1	2.3	2.5	2.7	2.9	3.1

Controller side Options/Accessories

Name	Touch Panel Teaching Pendant	PC software	24VDC power supply
External view			
Model	<input type="checkbox"/> TB-02 (for wired connection only) <input type="checkbox"/> TB-03 (for wired/wireless connection)	<input type="checkbox"/> RCM-101-MW (RS232 connection version) <input type="checkbox"/> RCM-101-USB (USB connection version)	<input type="checkbox"/> PS-241 (100V input) <input type="checkbox"/> PS-242 (200V input)
Overview	<ul style="list-style-type: none"> <li>● TB-02 A teaching pendant equipped with functions such as start point, end point, and AVD input, trial operation, and monitoring.</li> <li>● TB-03 A data setter that supports wireless connection. The start point, end point and AVD can be input with wireless connection.</li> </ul>	Software for start point input, end point input and AVD input, trial operation, and monitoring using a PC. Both the RS232C version and USB version are available for PC connection.	A 24VDC power supply that can instantaneously output up to 17A. Input voltage 200VAC and 100VAC specifications are available.

\* For system configurations using the above tools, refer to P.68.