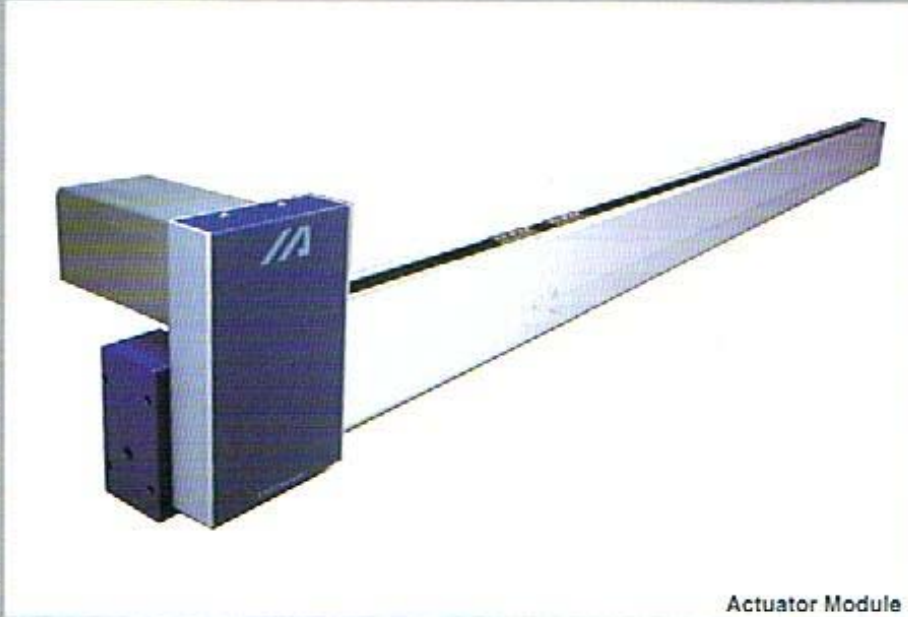
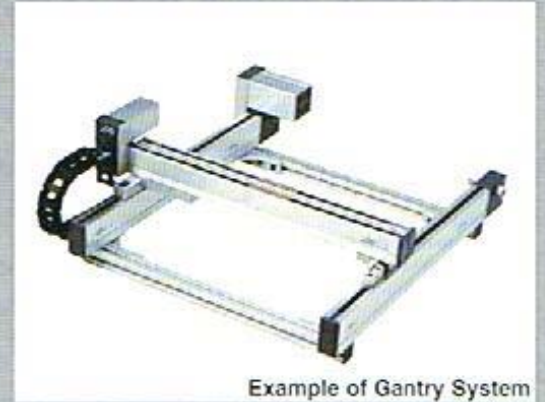


FS-L

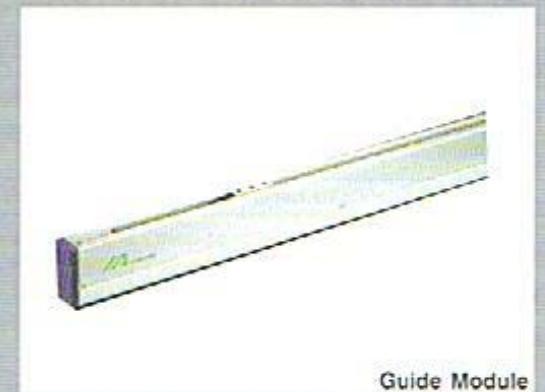
New



Actuator Module



Example of Gantry System



Guide Module

FS LARGE TYPE ACTUATOR

FEATURES:

- New larger design enables the FS-L to provide up to a 3000mm stroke.
- The new FS-L focuses on 2 main types: A High Speed Type (maximum speed: 2000mm/sec) and a High Payload Type (maximum payload: 60Kg).
- Timing Belt Drive Method provides a quieter motion.
- Gantry-Type Systems with larger work areas are achievable using guide modules also available in this series.

MODEL NAME:

FS-11LM-400-3000

1 2 3 4 5 6

No.	ITEM	CONTENT
1	Series	FS: Flexible Series
2	Guide Section	11: Single Guide Block 12: Double Guide Block
3	Type	L: High Payload Type H: High Speed Type
4	Structure	M: Drive Module
5	Power	400W
6	Stroke Range	1000-3000

FS Large Type 400W

		High Payload Type		High Speed Type		
		11LM (Single Slider)	12LM (Double Slider)	11HM (Single Slider)	12HM (Double Slider)	
Stroke	mm	1000-3000				
Rated Output	W	400				
Rated Velocity	mm/sec	1250		2000		
Rated Thrust	N (Kgf)	196 (20)		127 (13)		
Repeatability	mm	± 0.08				
Horizontal Payload (*1, *2)	Stroke					
	1000~1500	Kgw	15	60	10	40
	1600~2000		15	44	10	30
	2100~2500		15	36	10	25
	2600~3000		15	28	10	20
Motor		AC Servo Motor				
Feed Structure		Timing Belt 5mm Pitch Width 30mm				
Lead		25 Equivalent		40 Equivalent		
Guide		LM Guide SSR25				
Motor, Belt Connector		Timing Belt Deceleration 1/4.8		Timing Belt Deceleration 1/3.0		
Base		Extruded Aluminum (A6063S-T5) White Alumite Treatment				
Maximum Thrust (*3)	N (Kgf)	392 (40)		254 (26)		
Load Moment Ma	N·m (Kgf·m)	8.8 (0.9)	51.9 (5.3)	8.8 (0.9)	51.9 (5.3)	
Mb (*4)		7.8 (0.8)	47.0 (4.8)	7.8 (0.8)	47.0 (4.8)	
Mc		12.7 (1.3)	25.4 (2.6)	12.7 (1.3)	25.4 (2.6)	
Overhang Load Length (*5)	mm	Under 300	Under 750	Under 300	Under 750	

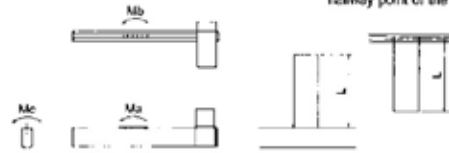
*1) The value is when the acceleration is at 0.3G and the velocity is at 1250 (2000)mm/sec.
The payload varies according to stroke (for Single Slider, the acceleration is at 1.0G).

*4) Direction of load moment is:

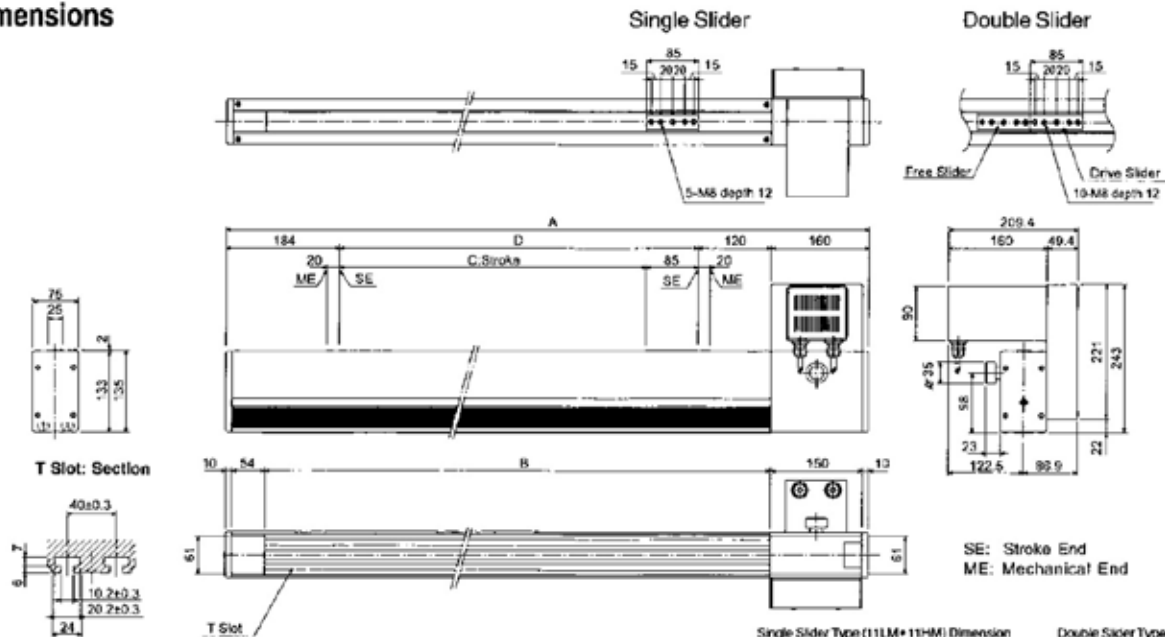
*5) Center of gravity for the mounted object is at the halfway point of the overhang length.

*2) Application compliance has not been made for vertical directional setting.

*3) 5 seconds of allowable value at the velocity of 10mm/sec.



■ Dimensions



Single Slider Type (11LM+11HM) Dimension

Double Slider Type (12LM+12HM) Dimension

Stroke	1000	1500	2000	2500	3000
A	1549	2049	2549	3049	3549
B	1325	1825	2325	2825	3325
C	1000	1500	2000	2500	3000
D	1085	1585	2085	2585	3085
Weight Kg	28	34	40	47	53

Stroke	1000	1500	2000	2500	3000
A	1049	2149	2649	3149	3649
B	1425	1925	2425	2925	3425
C	1015	1515	2015	2515	3015
D	1185	1685	2185	2685	3185
Weight Kg	31	37	43	49	56

* For strokes between 1000-3000mm, the pitch is prepared at 1000mm.
For A-D dimensions, as the stroke length becomes 100mm longer, these dimensions also need to be 100mm longer.

U.S. Sales Offices

IAI America, Inc. (U.S. Headquarters)
2360 West 205th Street, Torrance, CA 90501
(800) 736-1712 (310) 320-4553 FAX

IAI America, Inc. (Illinois Regional Office)
1261 Hamilton Parkway, Itasca, IL 60143
(800) 944-0333 (630) 467-9912 FAX