

Tabletop Robot
With Battery-less Absolute Encoder as Standard

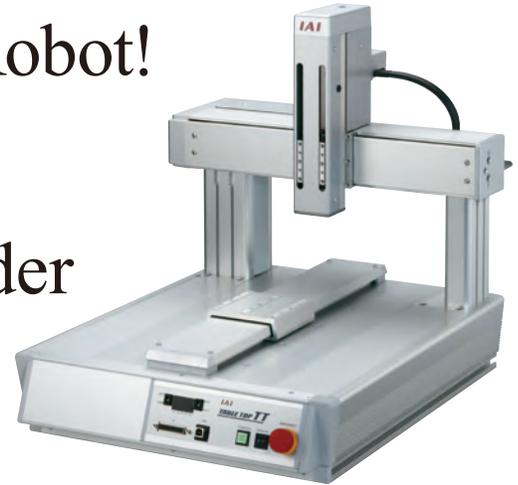
TTA Series

AC Servo Motor
Series Added
All Models Equipped with
Battery-less Absolute
Encoder as Standard

Table Top TTA Series



AC Servo Motor Specification Now Available for the Tabletop Robot! All Models Equipped with Battery-less Absolute Encoder as Standard!



1. Equipped with a Battery-less Absolute Encoder as Standard

All the conventional stepper motor types are equipped with a battery-less absolute encoder as standard. An AC servo motor series is also now available.



Battery-less Absolute Encoder

No Battery, No Maintenance, No Homing, and No Price Increase. No Going Back to Incremental.

Encoder \ Motor	Stepper motor	AC servo motor
Incremental	Conventional models	-
Battery-less absolute	NEW	NEW



Built-in position memory system

The advantages of using an absolute encoder.

1. With an absolute encoder, home-return is not required.
2. No external home sensor is required since home-return is not necessary.
3. Removal of items being worked on is not necessary, even after an emergency stop.
4. The troublesome creation of home-return programs is not necessary even when stopping inside of a complex machine.

The advantages of battery-less.

1. No battery maintenance required.
2. No installation space for battery required.



- Reduced processes / Costs
- Shortened startup / adjustment time
- Increased production capacity

2. New High-precision AC Servo Motor Series Added

AC Servo Motor Specification

The equipped AC servo motor dramatically increases performance.

We have a wide range of specifications, from payload-focused low lead specifications to speed-focused high lead specifications.

		Conventional models	Low lead
Max. payload (kg)	Work side (X-axis)	20	30
	Tool side (Z-axis)	6	15

Max.
2.5
times

Payload focused → Low lead specification

		Conventional models	High lead
Max. speed (mm/s)	X-axis	800	1,200 *
	Y-axis	800	1,200 *
	Z-axis	400	400 *

Max.
1.5
times

Speed focused → High lead specification

* Max. speed differs depending on conditions.

	Conventional models	Low lead	High lead
Positioning repeatability (mm)	±0.02	±0.005	±0.005
Lost motion (mm)	0.1 or less	0.025 or less	0.04 or less

ZR-axis performance	Conventional models	AC servo motor
Max. speed (PTP drive)	1,000deg/s	1,500deg/s

* Max. speed differs depending on conditions.

3. Improved Positioning Repeatability and Lost Motion for Stepper Motor

Stepper Motor Specification

Due to the built-in high-resolution battery-less absolute encoder, positioning repeatability and lost motion are improved.

	Conventional models	Battery-less absolute encoder equipped
Positioning repeatability (mm)	±0.02	±0.01
Lost motion (mm)	0.1 or less	0.05 or less

4. Manual Programming Is No Longer Required

The SEL Program Generator eliminates the tedious work of program creation.

About the SEL Program Generator...

The SEL Program Generator is a PC tool that automatically generates a SEL program and positioning data simply by drawing the operation path on the screen.

* The first version only supports the application operations.

Until now Creating SEL programs and positioning data from scratch required a lot of processes and time.

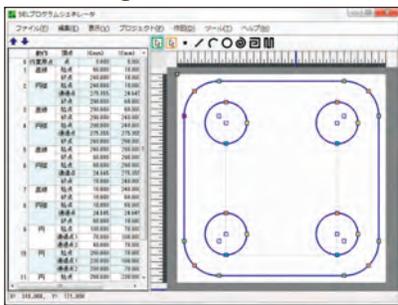
Using the SEL Program Generator...

The tedious work of program creation is eliminated for dramatically increased convenience.

- Reduced processes
- Shortened time
- Improved productivity

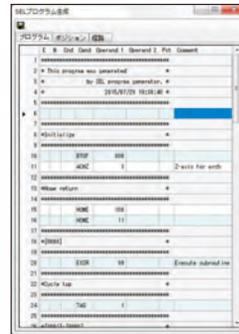
2 types of drawing methods can be used to create the operating path.

1. Reading DXF data
2. Drawing with the mouse

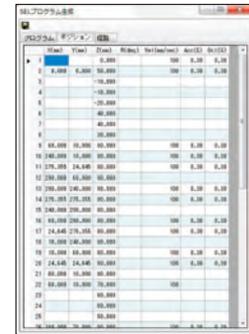


(E.g., for when using the mouse)

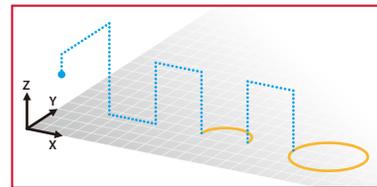
Automatic creation



SEL Program
(Application operation program)



Position data

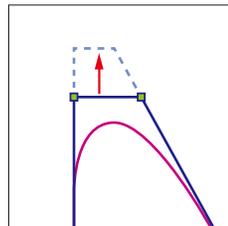
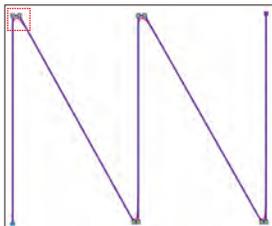


Simple simulation screen

Drawing a pathway like the one at the right automatically generates a program for the robot.

Furthermore, the created pathway and actual traveled path are displayed on top of each other to allow for corrections to be made.

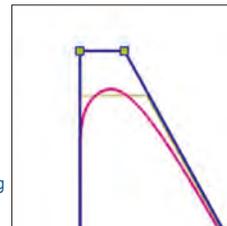
Patent pending



Enlarged view of the red box on the left



The operating path can be corrected by dragging the created path with the mouse to match the intended path.



Correcting the operating path

- Created path
- Operating path
- Ideal path

AC Servo Motor Type Lineup

Model	TTA												
Specification	Gate Type												
	A2SL: 2-axis low lead spec. A2SLG: 2-axis low lead safety category spec. A2SH: 2-axis high lead spec. A2SHG: 2-axis high lead safety category spec.				A3SL: 3-axis low lead spec. A3SLG: 3-axis low lead safety category spec. A3SH: 3-axis high lead spec. A3SHG: 3-axis high lead safety category spec.				A4SL: Low lead spec. with ZR-axis A4SLG: Low lead safety category spec. with ZR-axis A4SH: High lead spec. with ZR-axis A4SHG: High lead safety category spec. with ZR-axis				
X-axis/Y-axis Stroke (mm)	200×200 (Cantilever)	300×300	400×400	500×500	200×200 (Cantilever)	300×300	400×400	500×500	200×200 (Cantilever)	300×300	400×400	500×500	
Z-axis Stroke (mm)	-				100/150				100/150				
Standard Price	-	-	-	-	-	-	-	-	-	R-axis operation range: ±180°			
	-	-	-	-	-	-	-	-	-	-	-	-	
	R-axis operation range: ±360°												
	-	-	-	-	-	-	-	-	-	-	-	-	
Reference Page	P.11	P.13	P.15	P.17	P.19	P.21	P.23	P.25	P.27				
Specification	Cantilever Type												
	C2SL: 2-axis low lead spec. C2SLG: 2-axis low lead safety category spec. C2SH: 2-axis high lead spec. C2SHG: 2-axis high lead safety category spec.				C3SL: 3-axis low lead spec. C3SLG: 3-axis low lead safety category spec. C3SH: 3-axis high lead spec. C3SHG: 3-axis high lead safety category spec.				C4SL: Low lead spec. with ZR-axis C4SLG: Low lead safety category spec. with ZR-axis C4SH: High lead spec. with ZR-axis C4SHG: High lead safety category spec. with ZR-axis				
X-axis/Y-axis Stroke(mm)	200×150	300×250	400×350	500×450	200×150	300×250	400×350	500×450	200×150	300×250	400×350	500×450	
Z-axis Stroke (mm)	-				100/150				100/150				
Standard Price	-	-	-	-	-	-	-	-	-	R-axis operation range: ±180°			
	-	-	-	-	-	-	-	-	-	-	-	-	
	R-axis operation range: ±360°												
	-	-	-	-	-	-	-	-	-	-	-	-	
Reference Page	P.29	P.31	P.33	P.35	P.37	P.39	P.41	P.43	P.45				

Stepper Motor Type Lineup

Model	TTA												
Specification	Gate Type												
	A2 (2-axis standard spec.) A2G (2-axis safety category spec.)				A3 (3-axis standard spec.) A3G (3-axis safety category spec.)				A4 (ZR-axis standard spec.) A4G (ZR-axis safety category spec.)				
													
X-axis/Y-axis Stroke (mm)	200×200 (Cantilever)	300×300	400×400	500×500	200×200 (Cantilever)	300×300	400×400	500×500	200×200 (Cantilever)	300×300	400×400	500×500	
Z-axis Stroke (mm)	-				100/150				100/150				
Standard Price	-	-	-	-	-	-	-	-	R-axis operation range: ±180°				
	-	-	-	-	-	-	-	-	-	-	-	-	
										R-axis operation range: ±360°			
	-	-	-	-	-	-	-	-	-	-	-	-	
Reference Page	P.11	P.13	P.15	P.17	P.19	P.21	P.23	P.25	P.27				
Specification	Cantilever Type												
	C2 (2-axis standard spec.) C2G (2-axis safety category spec.)				C3 (3-axis standard spec.) C3G (3-axis safety category spec.)				C4 (ZR-axis standard spec.) C4G (ZR-axis safety category spec.)				
													
X-axis/Y-axis Stroke (mm)	200×150	300×250	400×350	500×450	200×150	300×250	400×350	500×450	200×150	300×250	400×350	500×450	
Z-axis Stroke (mm)	-				100/150				100/150				
Standard Price	-	-	-	-	-	-	-	-	R-axis operation range: ±180°				
	-	-	-	-	-	-	-	-	-	-	-	-	
										R-axis operation range: ±360°			
	-	-	-	-	-	-	-	-	-	-	-	-	
Reference Page	P.29	P.31	P.33	P.35	P.37	P.39	P.41	P.43	P.45				

AC Servo Motor Type Model Specification Items

Series **TTA** - Type **WA** - Encoder Type **WA** - X-axis Contents - Y-axis Contents - Z-axis Contents - R-axis Contents - Standard I/O Slot - Expansion I/O Slot 1 - Expansion I/O Slot 2 - I/O Cable Length - Power Supply Cable Spec. - Options

① ② ③ ④ ⑤ ⑥ ⑦ ⑧ ⑨ ⑩ ⑪ ⑫ ⑬ ⑭ ⑮ ⑯ ⑰

WA Battery-less absolute

Standard	Safety Category	
A2SL	A2SLG	2-axis Gate type, low lead
A2SH	A2SHG	2-axis Gate type, high lead
A3SL	A3SLG	3-axis Gate type, low lead
A3SH	A3SHG	3-axis Gate type, high lead
A4SL	A4SLG	4-axis Gate type, low lead (R180 deg. spec, R360 deg. spec.)
A4SH	A4SHG	4-axis Gate type, high lead (R180 deg. spec, R360 deg. spec.)
C2SL	C2SLG	2-axis Cantilever type, low lead
C2SH	C2SHG	2-axis Cantilever type, high lead
C3SL	C3SLG	3-axis Cantilever type, low lead
C3SH	C3SHG	3-axis Cantilever type, high lead
C4SL	C4SLG	4-axis Cantilever type, low lead (R180 deg. spec, R360 deg. spec.)
C4SH	C4SHG	4-axis Cantilever type, high lead (R180 deg. spec, R360 deg. spec.)

Note) Please select the safety category specification when it is necessary to comply with CE marking or Safety Category B ~ 3.

X-axis Stroke

20	200mm
30	300mm
40	400mm
50	500mm

X-axis Option

NM	Non-motor end spec.
-----------	---------------------

Y-axis Stroke

TTA-A Series	TTA-C Series	
20	200mm	15 150mm
30	300mm	25 250mm
40	400mm	35 350mm
50	500mm	45 450mm

Y-axis Option

NM	Non-motor end spec.
-----------	---------------------

Z-axis Stroke

10	100mm
15	150mm

Z-axis Option

B	Brake (Standard equipment)	See P.50
CO	With cover (Dedicated for 4-axis spec.)	See P.50
NM	Non-motor end spec.	See P.51

R-axis stroke

18	±180 deg.
36L	±360 deg.

* Equipped with home limit switch

R-axis Option

ML	Motor side-mounted to the left
MR	Motor side-mounted to the right

* For A4, either ML or MR must be selected. Only MR can be selected for C4.

Standard I/O Slot

E	Not used
NP	Expansion PIO board (NPN spec.)
PN	Expansion PIO board (PNP spec.)
DV	DeviceNet connection board
CC	CC-Link connection board
PR	PROFIBUS-DP connection board
EP	EtherNet/IP connection board
EC	EtherCAT connection board
IA	IA Net connection board
SE1	RS232C connection board
SE2	RS485 connection board

* The IA Net connection board and EtherNet/IP connection board can be connected only in expansion slot 1. If another board is also used, it must be installed in expansion slot 2.

Expansion I/O Slot 1

Expansion I/O Slot 2

I/O Cable Length

0	None
2	2m
3	3m
5	5m

Power Supply Cable Spec.

PU	Power connector only
1	Power supply cable for 100VAC (2m) (Plug on end)
2	Power supply cable for 200VAC (2m) (Ring tongue terminal on end)

H1	Y-axis mounting position height 50mm up	See P.51
H2	Y-axis mounting position height 100mm up	See P.51
F1	Y-axis mounting position 90mm forward	See P.50
F2	Y-axis mounting position 180mm forward	See P.50
AP	Additional pillar for 20-15 and 20-20 types	See P.50
FT4	Foot bracket included (4 pcs)	See P.50
FT6	Foot bracket included (6 pcs)	See P.50
SLT0	Side slot 180mm installation	See P.51
SLT	Individual stroke side slot installation	See P.51
PTH	Installation side plate (with hole)	See P.51
PTN	Installation side plate (without hole)	See P.51
OS	Detachable operation console	See P.52
*	Additional switch	See P.52
FZ	ZR-axis mounting position 64.5mm forward	See P.50

* Additional switch models depend on the items selected. Please refer to P.52 for more information.

Stepper Motor Type Model Specification Items

Series **TTA** - Type **WA** - Encoder Type **WA** - X-axis Contents - Y-axis Contents - Z-axis Contents - R-axis Contents - Standard I/O Slot - Expansion I/O Slot 1 - Expansion I/O Slot 2 - I/O Cable Length - Power Supply Cable Spec. - Options

① ② ③ ④ ⑤ ⑥ ⑦ ⑧ ⑨ ⑩ ⑪ ⑫ ⑬ ⑭ ⑮ ⑯ ⑰

WA Battery-less absolute

Standard	Safety Category	
A2	A2G	2-axis Gate type, standard
A3	A3G	3-axis Gate type, standard
A4	A4G	4-axis Gate type, standard (R180 deg. spec, R360 deg. spec.)
C2	C2G	2-axis Cantilever type, standard
C3	C3G	3-axis Cantilever type, standard
C4	C4G	4-axis Cantilever type, standard (R180 deg. spec, R360 deg. spec.)

Note) Please select the safety category specification when it is necessary to comply with CE marking or Safety Category B ~ 3.

X-axis Stroke	X-axis Option
20 200mm	NM Non-motor end spec.
30 300mm	
40 400mm	
50 500mm	

Y-axis Stroke	TTA-A Series	TTA-C Series	Y-axis Option
20 200mm	15	150mm	NM Non-motor end spec.
30 300mm	25	250mm	
40 400mm	35	350mm	
50 500mm	45	450mm	

Z-axis Stroke	Z-axis Option
10 100mm	B Brake (Standard equipment) See P.50
15 150mm	CO With cover (Dedicated for 4-axis spec.) See P.50
	NM Non-motor end spec. See P.51

R-axis stroke	R-axis Option
18 ±180 deg.	ML Motor side-mounted to the left
36L ±360 deg.	MR Motor side-mounted to the right

* Equipped with home limit switch

* For A4, either ML or MR must be selected. Only MR can be selected for C4.

Standard I/O Slot	Expansion I/O Slot 1	Expansion I/O Slot 2	I/O Cable Length	Power Supply Cable Spec.
NP NPN spec. PN PNP spec.			0 None 2 2m 3 3m 5 5m	PU Power connector only 1 Power supply cable for 100VAC (2m) (Plug on end) 2 Power supply cable for 200VAC (2m) (Ring tongue terminal on end)

Options		
E	Not used	
NP	Expansion PIO board (NPN spec.)	
DV	DeviceNet connection board	
CC	CC-Link connection board	
PR	PROFIBUS-DP connection board	
EP	EtherNet/IP connection board	
EC	EtherCAT connection board	
IA	IA Net connection board	
SE1	RS232C connection board	
SE2	RS485 connection board	

* The IA Net connection board and EtherNet/IP connection board can be connected only in expansion slot 1. If another board is also used, it must be installed in expansion slot 2.

Y-axis height and horizontal position change and additional pillar option		
H1	Y-axis mounting position height 50mm up	See P.51
H2	Y-axis mounting position height 100mm up	
F1	Y-axis mounting position 90mm forward	See P.50
F2	Y-axis mounting position 180mm forward	
AP	Additional pillar for 20-15 and 20-20 types	

Installation bracket options		
FT4	Foot bracket included (4 pcs)	See P.50
FT6	Foot bracket included (6 pcs)	

Side slot options		
SLT0	Side slot 180mm installation	See P.51
SLT	Individual stroke side slot installation	

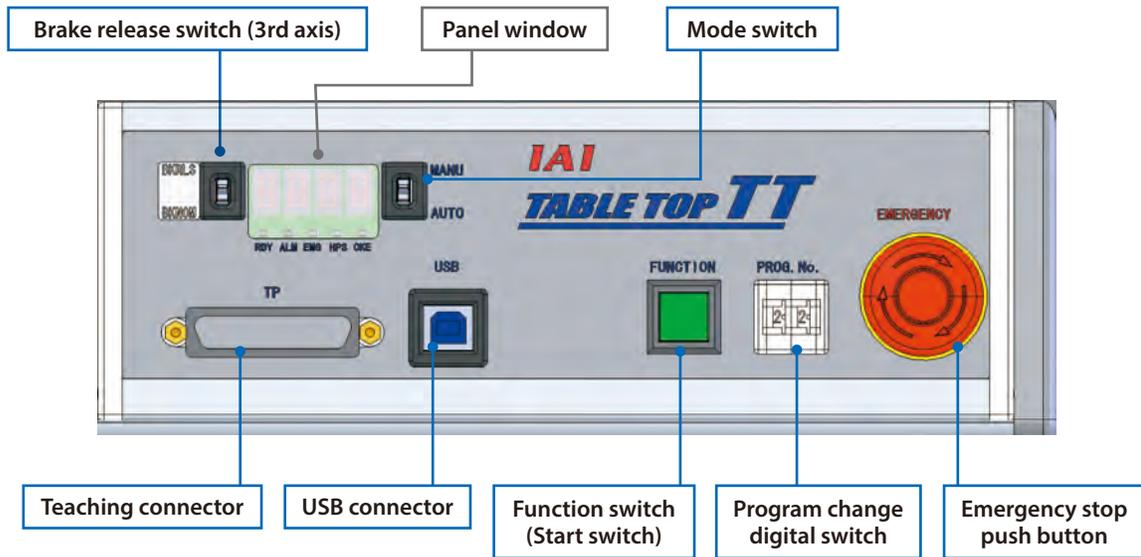
Side plate options		
PTH	Installation side plate (with hole)	See P.51
PTN	Installation side plate (without hole)	

Operation part options		
OS	Detachable operation console	See P.52
*	Additional switch	See P.52

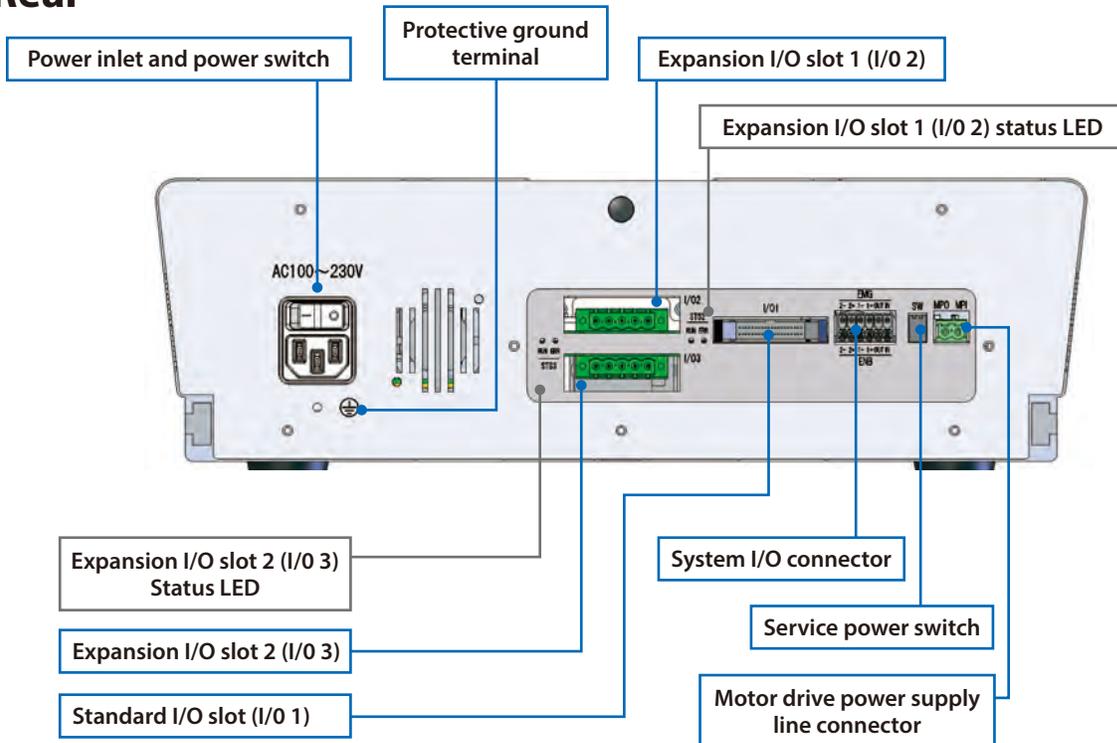
ZR-axis position change option		
FZ	ZR-axis mounting position 64.5mm forward	See P.50

* Additional switch models depend on the items selected. Please refer to P.52 for more information.

Front



Rear



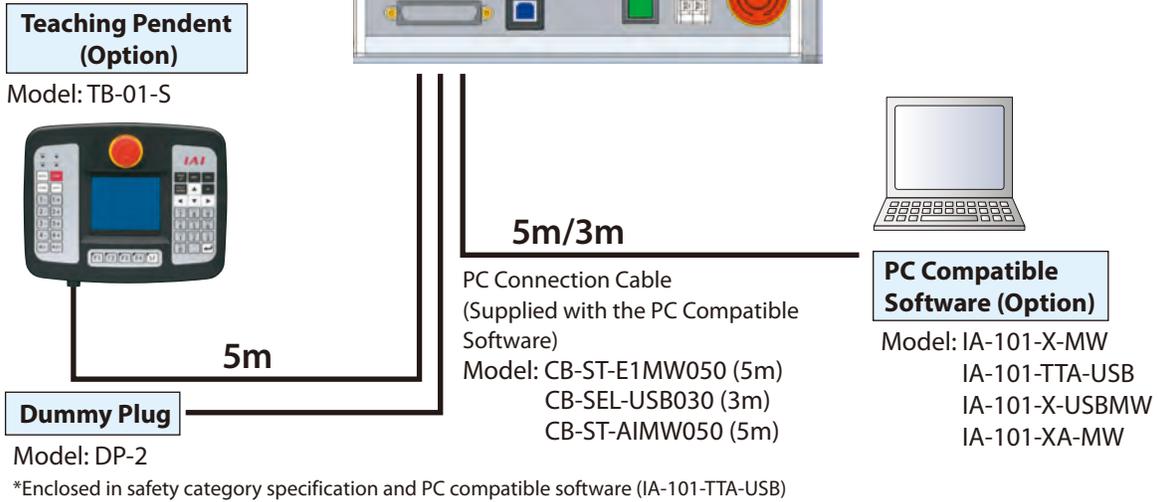
I/O Interface

Standard I/O slot	Standard PIO (input 16 points / output 16 points)
Expansion I/O slot 1 [option]	Expansion PIO (input 16 points / output 16 points) or field network (*1)
Expansion I/O slot 2 [option]	Expansion PIO (input 16 points / output 16 points) or field network (*1)
System I/O slot	Emergency stop input x 2 contacts, enable input x 2 contacts
Motor power I/O connector	For external drive power supply shutoff

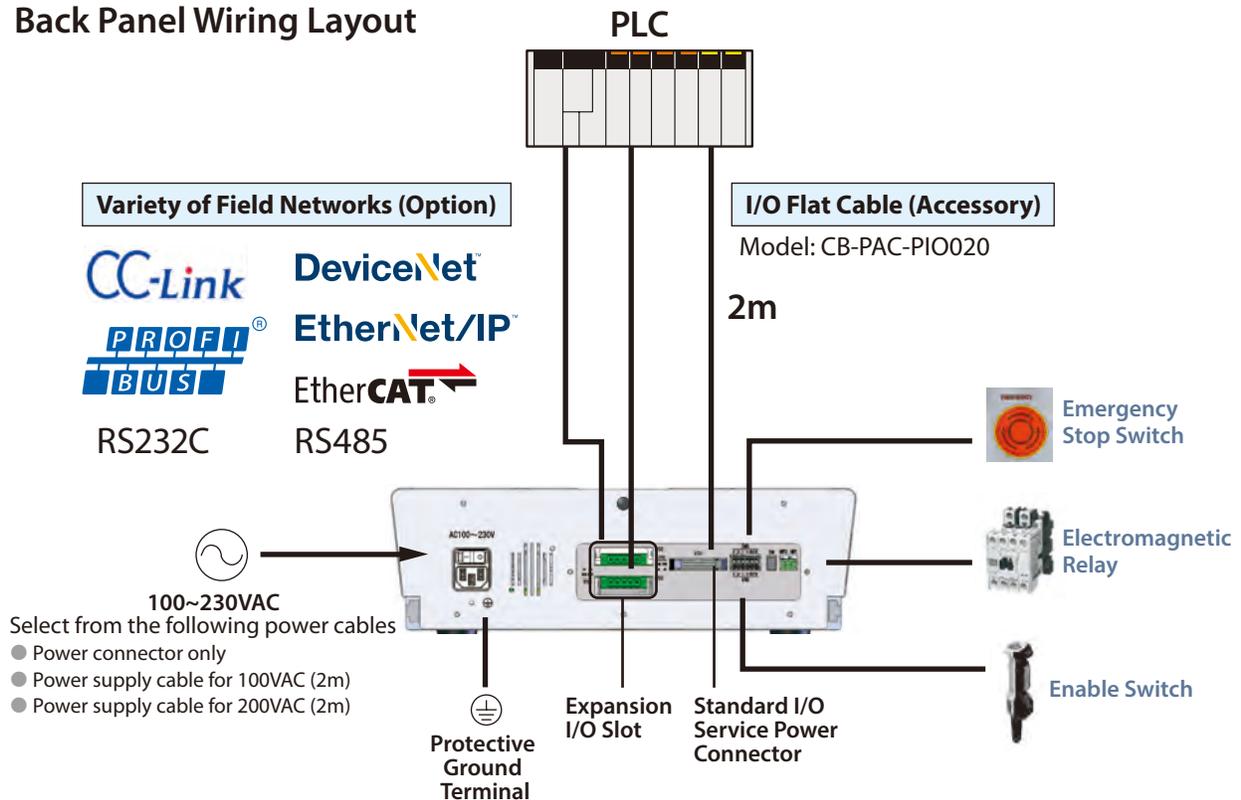
*1: For field network (CC-Link, DeviceNet, PROFIBUS-DP, EtherNet/IP, EtherCAT, IA Net, RS232C and RS485) connection, the maximum number of input points is 240 and maximum number of output points is 240.
EtherNet/IP + EtherNet/IP is not supported
Connect the vision system to EtherNet/IP board.

Tabletop Robot Series System Configuration

Front Panel Wiring Layout



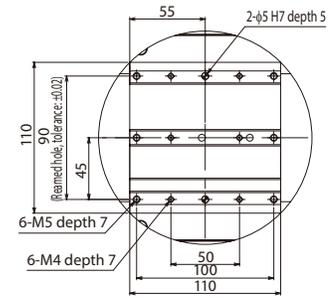
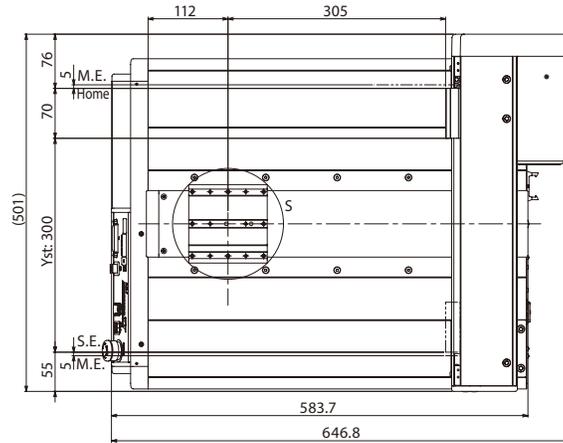
Back Panel Wiring Layout



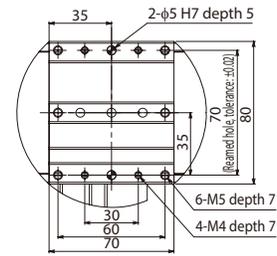
*Emergency stop switch, enable switch, electromagnetic relay, and other devices may be connected and wired if necessary. The factory setting with no external devices connected still operate properly.



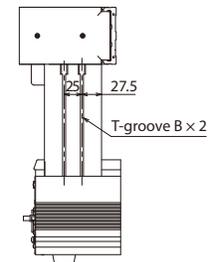
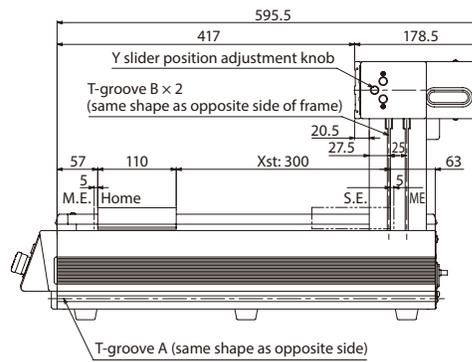
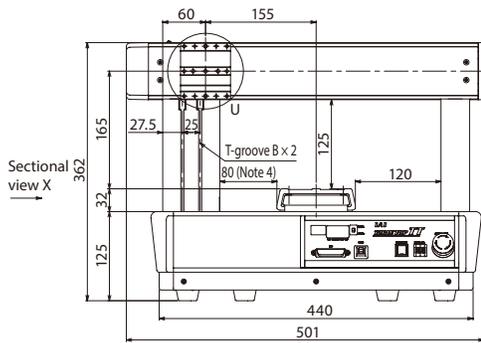
*When the slider is returning to its home position, please be careful of interference from surrounding objects, as it will travel until it reaches the M.E.
 S.E: Stroke end
 M.E: Mechanical end



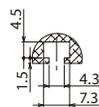
Detail view of S (X-axis slider details)



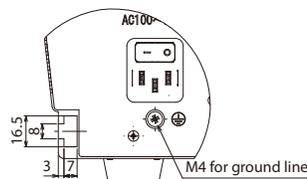
Detail view of U (Y-axis slider details)



Sectional view X



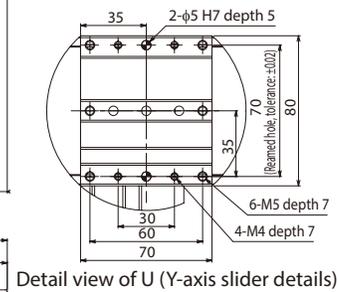
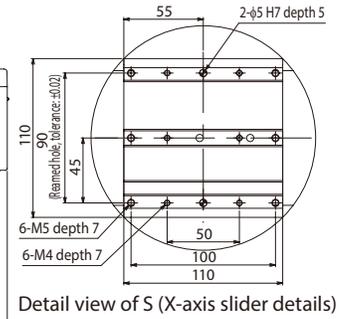
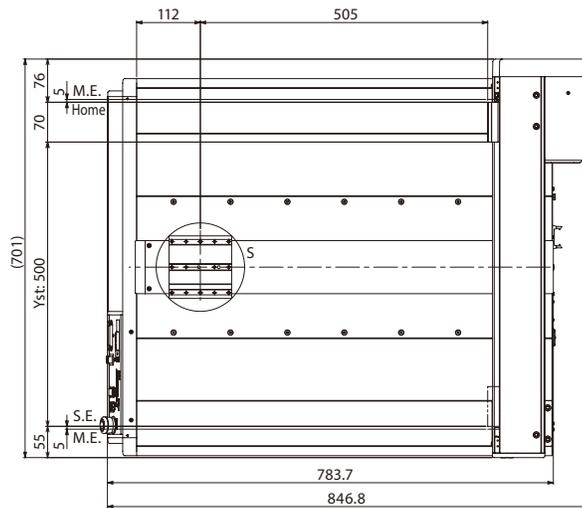
T-groove B shape



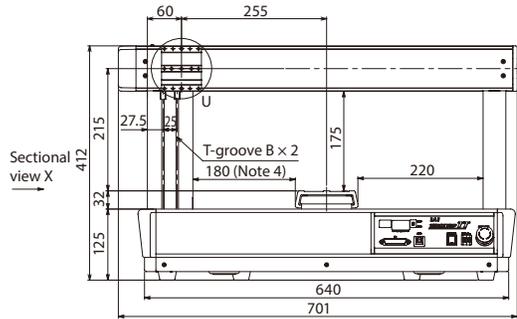
T-groove A shape



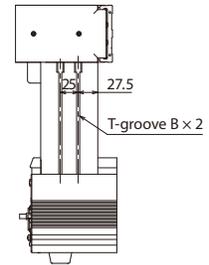
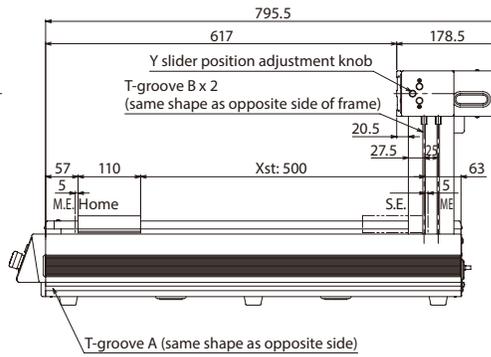
*When the slider is returning to its home position, please be careful of interference from surrounding objects, as it will travel until it reaches the M.E.
 S.E: Stroke end
 M.E: Mechanical end



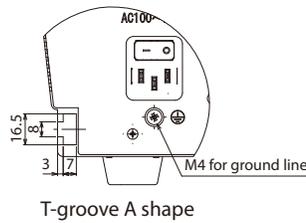
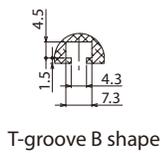
Detail view of U (Y-axis slider details)



Sectional view X



Sectional view X



TTA-A3S□(G)-20-20 Tabletop Robot, Gate Type 3-axis, XY-axis 200mm, Z-axis 100/150mm, AC Servo Motor

TTA-A3(G)-20-20 Tabletop Robot, Gate Type 3-axis, XY-axis 200mm, Z-axis 100/150mm, Stepper Motor

Model Specification Items

Series	Type	Encoder Type	X-axis Stroke	X-axis Option	Y-axis Stroke	Y-axis Option	Z-axis Stroke	Z-axis Option	Standard I/O Slot	Expansion I/O Slot 1	Expansion I/O Slot 2	I/O Cable Length	Power Supply Cable Spec.	Options
A3SL: 3-axis low lead spec. A3SLG: 3-axis low lead safety category spec. A3SH: 3-axis high lead spec. A3SHG: 3-axis high lead safety category spec. A3: 3-axis standard spec. A3G: 3-axis safety category spec.	WA	Battery-less Abs.	20:200mm		20:200mm		10:100mm 15:150mm	B: Brake (Standard) NM: Non-motor end specification	NP: NPN spec. PN: PNP spec.			0: None 2: 2m 3: 3m 5: 5m	PU: Power connector only 1: Power supply cable for 100VAC (2m) 2: Power supply cable for 200VAC (2m)	Please refer to the options table below



*CE marking only supports safety category specifications.



*Only cantilever type is available for 20-20 model.

POINT Selection Notes

(Note 1) The maximum acceleration/deceleration varies depending on the payload, but stepper motors cannot operate at maximum speed with the maximum payload. When the payload is reduced, the speed increases. (See P.57)

(Note 2) Positioning repeatability only be guaranteed when actuator's body temperature is constant. It does not guarantee the absolute accuracy.

(Note 3) The dynamic allowable moment is the value for each axis. The standard service life is 5,000km for a standard load coefficient of 1.5. (Please refer to P.61 for more information about dynamic allowable moment)

(Note 4) When placing the workpiece on the X-slider, be sure to allow at least 2mm clearance from the unit surface.

Model / Specifications

Lead and Payload

Model Number	Axis Configuration	Encoder Type	Motor Type	Lead (mm)	Stroke (mm)	Speed (mm/s)	Payload (kg) (Note 1)	
TTA-A3SL(G)-WA-20①-20②-③B④-⑤-⑥-⑦-⑧-⑨-⑩	X-axis	Battery-less absolute	AC servo motor	8	200	1~600	30	
	Y-axis			8	200	1~600	-	
	Z-axis			2.14 or equiv.	100/150	1~170	15	
TTA-A3SH(G)-WA-20①-20②-③B④-⑤-⑥-⑦-⑧-⑨-⑩	X-axis			16	200	1~1,000	15	
	Y-axis			16	200	1~800	-	
	Z-axis			5 or equiv.	100/150	1~400	7	
TTA-A3(G)-WA-20①-20②-③B④-⑤-⑥-⑦-⑧-⑨-⑩	X-axis		Stepper motor	Stepper motor	24 or equiv.	200	1~800	20
	Y-axis				24 or equiv.	200	1~800	-
	Z-axis				12	100/150	1~400	6

Legend: ①② XY-axis options ③ Z-axis stroke ④ Z-axis option ⑤ Standard I/O slot ⑥⑦ Expansion I/O slots ⑧ I/O cable length ⑨ Power supply cable specification ⑩ Options

⑥⑦ Expansion I/O Slot

Name	Option Code	Name	Option Code
Expansion PIO board (NPN spec.)	NP	EtherCAT connection board	EC
DeviceNet connection board	DV	IA Net connection board	IA
CC-Link connection board	CC	RS232C connection board	SE1
PROFIBUS-DP connection board	PR	RS485 connection board	SE2
EtherNet/IP connection board	EP		

①②④⑩ Options * Please check the Options reference pages to confirm each option.

Name	Option Code	Reference Page
Additional pillar for 20-15 and 20-20 types	AP	See P.50
Brake (Standard equipment)	B	See P.50
Y-axis mounting position 90mm forward	F1	See P.50
Y-axis mounting position 180mm forward	F2	See P.50
Foot bracket included specification (4 pcs) X-axis stroke 20/30	FT4	See P.50
Y-axis mounting position height 50mm up	H1	See P.51
Y-axis mounting position height 100mm up	H2	See P.51
Non-motor end specification	NM	See P.51
Detachable operation console	OS	See P.52
Installation side plate (with hole)	PTH	See P.51
Installation side plate (without hole)	PTN	See P.51
Individual stroke side slot installation specification	SLT	See P.51
Side slot 180mm installation specification X-axis stroke 20/30	SLTO	See P.51
Additional switch	*	See P.52

* The option code for the additional switch(es) depends on the items selected by the customer. Please refer to P.52 for more information.

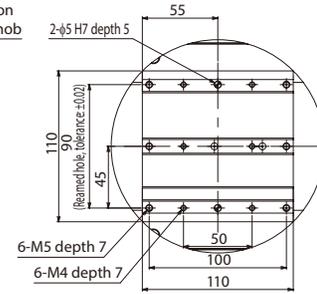
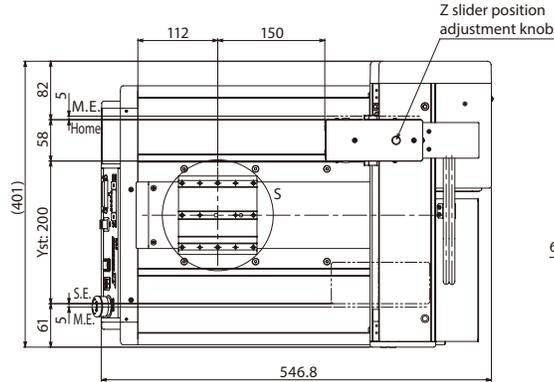
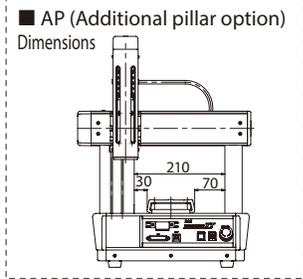
Actuator Specifications

Item	Description	
	AC Servo Motor	Stepper Motor
Drive system	Ball screw (X, Y-axis: φ12mm, Z-axis: φ10mm, rolled C5 or equiv.) Low lead Z-axis: 1:1.4 speed reduction with timing belt High lead Z-axis: 1:1.2 speed reduction with timing belt	Ball screw (X, Y-axis: φ12mm, Z-axis: φ10mm, rolled C10) X, Y-axis: 1.5:1 speed increase with timing belt
Positioning repeatability (Note 2)	±0.005mm	±0.01mm
Lost motion	Low lead X, Y-axis: 0.025mm or less Z-axis: 0.02mm or less High lead X, Y-axis: 0.04mm or less Z-axis: 0.02mm or less	0.05mm or less
Dynamic allowable moment (Note 3)	X-axis: Ma: 18.8N·m Mb: 18.8N·m Mc: 37.8N·m Y-axis: Ma: 14.9N·m Mb: 14.9N·m Mc: 44.3N·m Z-axis: Ma: 11.5N·m Mb: 11.5N·m Mc: 24.3N·m	
Ambient temp./humidity	0~40°C, 85% RH or less (Non-condensing)	
Max. weight on table*	20kg	
Unit weight	27.3kg	

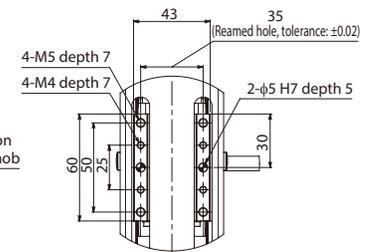
* The "table" section refers to the top surface of the unit excludes the X-axis slider. This is not the X-axis payload.

*When the slider is returning to its home position, please be careful of interference from surrounding objects, as it will travel until it reaches the M.E.

S.E: Stroke end
M.E: Mechanical end

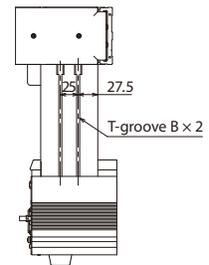
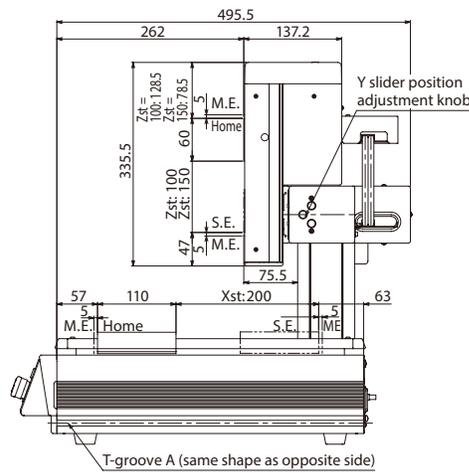
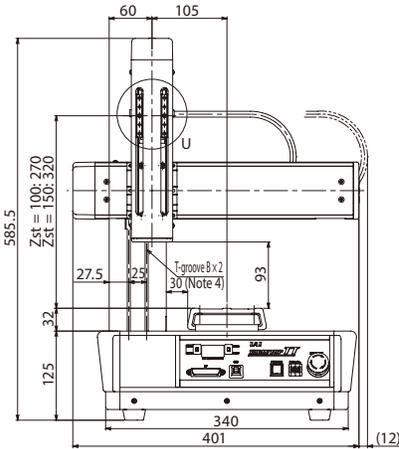


Detail view of S (X-axis slider details)

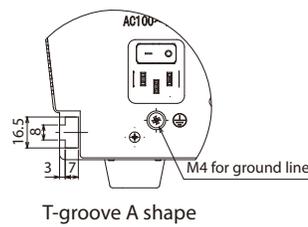
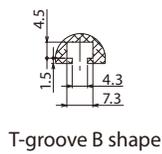


Detail view of U (Z-axis slider details)

Sectional view X



Sectional view X



TTA-A3S□(G)-40-40 Tabletop Robot, Gate Type 3-axis, XY-axis 400mm, Z-axis 100/150mm, AC Servo Motor

TTA-A3(G)-40-40 Tabletop Robot, Gate Type 3-axis, XY-axis 400mm, Z-axis 100/150mm, Stepper Motor

Model Specification Items

A3SL: 3-axis low lead spec.
 A3SLG: 3-axis low lead safety category spec.
 A3SH: 3-axis high lead spec.
 A3SHG: 3-axis high lead safety category spec.
 A3: 3-axis standard spec.
 A3G: 3-axis safety category spec.

TTA — □ — WA — 40 □ — 40 □ — □ □ — □ □ — □ □ — □ □ — □ □ — □ □ — □ □ — □ □

Series Type Encoder Type X-axis Stroke X-axis Option Y-axis Stroke Y-axis Option Z-axis Stroke Z-axis Option Standard I/O Slot Expansion I/O Slot 1 Expansion I/O Slot 2 I/O Cable Length Power Supply Cable Spec. Options

WA: Battery-less Abs.

40:400mm
 40:400mm
 NM: Non-motor end specification

10:100mm
 15:150mm
 B: Brake (Standard)
 NM: Non-motor end specification

NP: NPN spec.
 PN: PNP spec.

Refer to the expansion I/O slot table below.
 * Enter [E] if unused.

0: None
 2: 2m
 3: 3m
 5: 5m

PU: Power connector only
 1: Power supply cable for 100VAC (2m)
 2: Power supply cable for 200VAC (2m)



*CE marking only supports safety category specifications.



POINT Selection Notes

(Note 1) The maximum acceleration/deceleration varies depending on the payload, but stepper motors cannot operate at maximum speed with the maximum payload. When the payload is reduced, the speed increases. (See P.57)

(Note 2) Positioning repeatability only be guaranteed when actuator's body temperature is constant. It does not guarantee the absolute accuracy.

(Note 3) The dynamic allowable moment is the value for each axis. The standard service life is 5,000km for a standard load coefficient of 1.5. (Please refer to P.61 for more information about dynamic allowable moment)

(Note 4) When placing the workpiece on the X-slider, be sure to allow at least 2mm clearance from the unit surface.

Model / Specifications

Lead and Payload

Model Number	Axis Configuration	Encoder Type	Motor Type	Lead (mm)	Stroke (mm)	Speed (mm/s)	Payload (kg) (Note 1)	
TTA-A3SL(G)-WA-40①-40②-③B④-⑤-⑥-⑦-⑧-⑨-⑩	X-axis	Battery-less absolute	AC servo motor	8	400	1~600	30	
	Y-axis			8	400	1~600	-	
	Z-axis			2.14 or equiv.	100/150	1~170	15	
TTA-A3SH(G)-WA-40①-40②-③B④-⑤-⑥-⑦-⑧-⑨-⑩	X-axis			16	400	1~1,200	15	
	Y-axis			16	400	1~1,200	-	
	Z-axis			5 or equiv.	100/150	1~400	7	
TTA-A3(G)-WA-40①-40②-③B④-⑤-⑥-⑦-⑧-⑨-⑩	X-axis		Stepper motor	Stepper motor	24 or equiv.	400	1~800	20
	Y-axis				24 or equiv.	400	1~800	-
	Z-axis				12	100/150	1~400	6

Legend: ①② XY-axis options ③ Z-axis stroke ④ Z-axis option ⑤ Standard I/O slot ⑥⑦ Expansion I/O slots ⑧ I/O cable length ⑨ Power supply cable specification ⑩ Options

⑥⑦ Expansion I/O Slot

Name	Option Code	Name	Option Code
Expansion PIO board (NPN spec.)	NP	EtherCAT connection board	EC
DeviceNet connection board	DV	IA Net connection board	IA
CC-Link connection board	CC	RS232C connection board	SE1
PROFIBUS-DP connection board	PR	RS485 connection board	SE2
EtherNet/IP connection board	EP		

①②④⑩ Options * Please check the Options reference pages to confirm each option.

Name	Option Code	Reference Page
Brake (Standard equipment)	B	See P.50
Y-axis mounting position 90mm forward	F1	See P.50
Y-axis mounting position 180mm forward	F2	See P.50
Foot bracket included specification (6 pcs) X-axis stroke 40/50	FT6	See P.50
Y-axis mounting position height 50mm up	H1	See P.51
Y-axis mounting position height 100mm up	H2	See P.51
Non-motor end specification	NM	See P.51
Detachable operation console	OS	See P.52
Installation side plate (with hole)	PTH	See P.51
Installation side plate (without hole)	PTN	See P.51
Individual stroke side slot installation specification	SLT	See P.51
Side slot 180mm installation specification X-axis stroke 40/50	SLTO	See P.51
Additional switch	*	See P.52

* The option code for the additional switch(es) depends on the items selected by the customer. Please refer to P.52 for more information.

Actuator Specifications

Item	Description	
	AC Servo Motor	Stepper Motor
Drive system	Ball screw (X, Y-axis: φ12mm, Z-axis: φ10mm, rolled C5 or equiv.) Low lead Z-axis: 1:1.4 speed reduction with timing belt High lead Z-axis: 1:1.2 speed reduction with timing belt	Ball screw (X, Y-axis: φ12mm, Z-axis: φ10mm, rolled C10) X, Y-axis: 1.5:1 speed increase with timing belt
Positioning repeatability (Note 2)	±0.005mm	±0.01mm
Lost motion	Low lead X, Y-axis: 0.025mm or less Z-axis: 0.02mm or less High lead X, Y-axis: 0.04mm or less Z-axis: 0.02mm or less	0.05mm or less
Dynamic allowable moment (Note 3)	X-axis: Ma: 18.8N·m Mb: 18.8N·m Mc: 37.8N·m Y-axis: Ma: 14.9N·m Mb: 14.9N·m Mc: 44.3N·m Z-axis: Ma: 11.5N·m Mb: 11.5N·m Mc: 24.3N·m	
Ambient temp./humidity	0~40°C, 85% RH or less (Non-condensing)	
Max. weight on table*	40kg	
Unit weight	40.3kg	

* The "table" section refers to the top surface of the unit excludes the X-axis slider. This is not the X-axis payload.

Dimensions

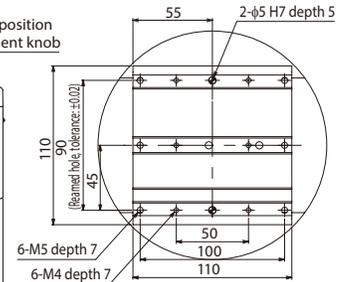
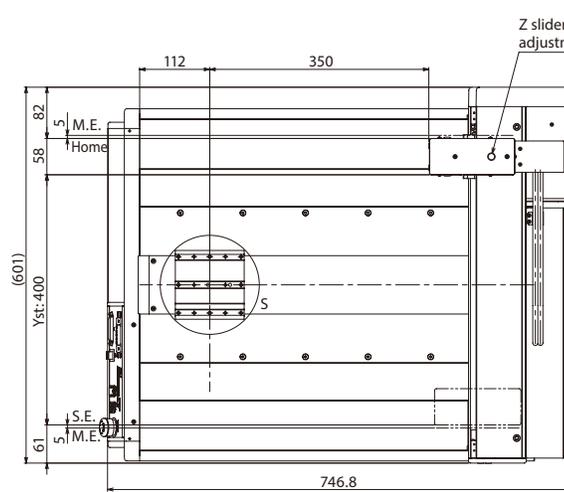
CAD drawings can be downloaded from our website.

www.intelligentactuator.com

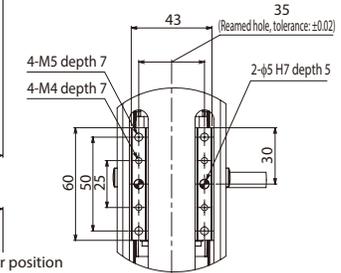


*When the slider is returning to its home position, please be careful of interference from surrounding objects, as it will travel until it reaches the M.E.

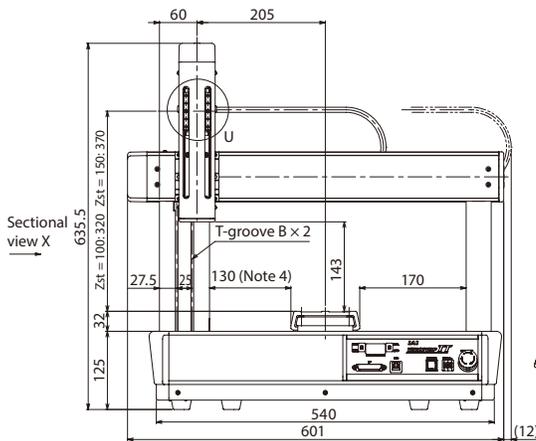
S.E: Stroke end
M.E: Mechanical end



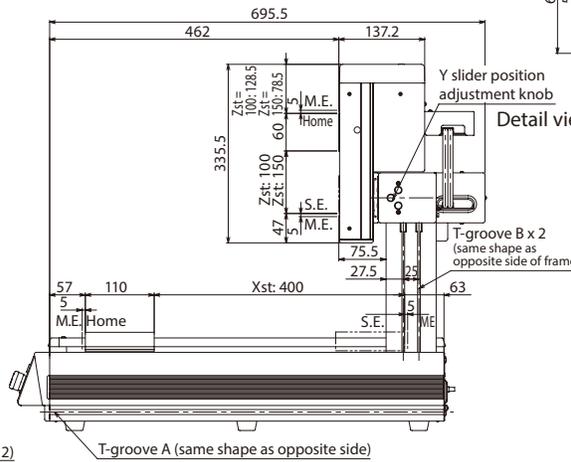
Detail view of S (X-axis slider details)



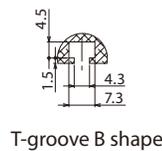
Detail view of U (Z-axis slider details)



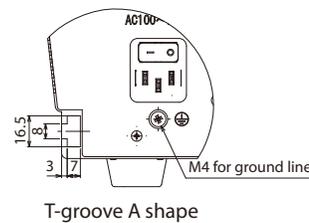
Sectional view X



Sectional view X



T-groove B shape



T-groove A shape

TTA-A3S□(G)-50-50 Tabletop Robot, Gate Type 3-axis, XY-axis 500mm, Z-axis 100/150mm, AC Servo Motor

TTA-A3(G)-50-50 Tabletop Robot, Gate Type 3-axis, XY-axis 500mm, Z-axis 100/150mm, Stepper Motor

Model Specification Items

A3SL: 3-axis low lead spec.
 A3SLG: 3-axis low lead safety category spec.
 A3SHG: 3-axis high lead safety category spec.
 A3: 3-axis standard spec.
 A3G: 3-axis safety category spec.

TTA — □ — WA — 50 □ — 50 □ — □ □ — □ — □ — □ — □ — □ — □ — □ — □

Series Type Encoder Type X-axis Stroke X-axis Option Y-axis Stroke Y-axis Option Z-axis Stroke Z-axis Option Standard I/O Slot Expansion I/O Slot 1 Expansion I/O Slot 2 I/O Cable Length Power Supply Cable Spec. Options

WA: Battery-less Abs.

50:500mm
 50:500mm
 NM: Non-motor end specification

10:100mm
 15:150mm
 B: Brake (Standard)
 NM: Non-motor end specification

NP: NPN spec.
 PN: PNP spec.

Refer to the expansion I/O slot table below.
 * Enter [E] if unused.

0: None
 2: 2m
 3: 3m
 5: 5m
 PU: Power connector only
 1: Power supply cable for 100VAC (2m)
 2: Power supply cable for 200VAC (2m)

Please refer to the options table below



*CE marking only supports safety category specifications.



POINT Selection Notes

(Note 1) The maximum acceleration/deceleration varies depending on the payload, but stepper motors cannot operate at maximum speed with the maximum payload. When the payload is reduced, the speed increases. (See P.57)

(Note 2) Positioning repeatability only be guaranteed when actuator's body temperature is constant. It does not guarantee the absolute accuracy.

(Note 3) The dynamic allowable moment is the value for each axis. The standard service life is 5,000km for a standard load coefficient of 1.5. (Please refer to P.61 for more information about dynamic allowable moment)

(Note 4) When placing the workpiece on the X-slider, be sure to allow at least 2mm clearance from the unit surface.

Model / Specifications

Lead and Payload

Model Number	Axis Configuration	Encoder Type	Motor Type	Lead (mm)	Stroke (mm)	Speed (mm/s)	Payload (kg) (Note 1)
TTA-A3SL(G)-WA-50①-50②-③B④-⑤-⑥-⑦-⑧-⑨-⑩	X-axis	Battery-less absolute	AC servo motor	8	500	1~600	30
	Y-axis			8	500	1~600	-
	Z-axis			2.14 or equiv.	100/150	1~170	15
TTA-A3SH(G)-WA-50①-50②-③B④-⑤-⑥-⑦-⑧-⑨-⑩	X-axis			16	500	1~1,200	15
	Y-axis			16	500	1~1,200	-
	Z-axis			5 or equiv.	100/150	1~400	7
TTA-A3(G)-WA-50①-50②-③B④-⑤-⑥-⑦-⑧-⑨-⑩	X-axis		24 or equiv.	500	1~800	20	
	Y-axis		24 or equiv.	500	1~800	-	
	Z-axis		12	100/150	1~400	6	

Legend: ①② XY-axis options ③ Z-axis stroke ④ Z-axis option ⑤ Standard I/O slot ⑥⑦ Expansion I/O slots ⑧ I/O cable length ⑨ Power supply cable specification ⑩ Options

⑥⑦ Expansion I/O Slot

Name	Option Code	Name	Option Code
Expansion PIO board (NPN spec.)	NP	EtherCAT connection board	EC
DeviceNet connection board	DV	IA Net connection board	IA
CC-Link connection board	CC	RS232C connection board	SE1
PROFIBUS-DP connection board	PR	RS485 connection board	SE2
EtherNet/IP connection board	EP		

①②④⑩ Options * Please check the Options reference pages to confirm each option.

Name	Option Code	Reference Page
Brake (Standard equipment)	B	See P.50
Y-axis mounting position 90mm forward	F1	See P.50
Y-axis mounting position 180mm forward	F2	See P.50
Foot bracket included specification (6 pcs) X-axis stroke 40/50	FT6	See P.50
Y-axis mounting position height 50mm up	H1	See P.51
Y-axis mounting position height 100mm up	H2	See P.51
Non-motor end specification	NM	See P.51
Detachable operation console	OS	See P.52
Installation side plate (with hole)	PTH	See P.51
Installation side plate (without hole)	PTN	See P.51
Individual stroke side slot installation specification	SLT	See P.51
Side slot 180mm installation specification X-axis stroke 40/50	SLTO	See P.51
Additional switch	*	See P.52

* The option code for the additional switch(es) depends on the items selected by the customer. Please refer to P.52 for more information.

Actuator Specifications

Item	Description	
	AC Servo Motor	Stepper Motor
Drive system	Ball screw (X, Y-axis: φ12mm, Z-axis: φ10mm, rolled C5 or equiv.) Low lead Z-axis: 1:1.4 speed reduction with timing belt High lead Z-axis: 1:1.2 speed reduction with timing belt	Ball screw (X, Y-axis: φ12mm, Z-axis: φ10mm, rolled C10) X, Y-axis: 1.5:1 speed increase with timing belt
Positioning repeatability (Note 2)	±0.005mm	±0.01mm
Lost motion	Low lead X, Y-axis: 0.025mm or less Z-axis: 0.02mm or less High lead X, Y-axis: 0.04mm or less Z-axis: 0.02mm or less	0.05mm or less
Dynamic allowable moment (Note 3)	X-axis: Ma: 18.8N·m Mb: 18.8N·m Mc: 37.8N·m Y-axis: Ma: 14.9N·m Mb: 14.9N·m Mc: 44.3N·m Z-axis: Ma: 11.5N·m Mb: 11.5N·m Mc: 24.3N·m	
Ambient temp./humidity	0~40°C, 85% RH or less (Non-condensing)	
Max. weight on table*	50kg	
Unit weight	47.3kg	

* The "table" section refers to the top surface of the unit excludes the X-axis slider. This is not the X-axis payload.

TTA-A4S (G) - [] - [] Tabletop Robot, Gate Type 4-axis, AC Servo Motor

TTA-A4(G) - [] - [] Tabletop Robot, Gate Type 4-axis, Stepper Motor

Model Spec. Items	Series	Type	Encoder Type	X-axis Stroke	X-axis Option	Y-axis Stroke	Y-axis Option	Z-axis Stroke	Z-axis Option	R-axis Stroke	R-axis Option	Standard I/O Slot	Expansion I/O Slot 1	Expansion I/O Slot 2	I/O Cable Length	Power Supply Cable Spec.	Options
A4SL: 4-axis ZR type, low lead spec. A4SLG: 4-axis ZR type, low lead Safety category specification A4SH: 4-axis ZR type, high lead spec. A4SHG: 4-axis ZR type, high lead Safety category specification A4: 4-axis ZR type, standard spec. A4G: 4-axis ZR type, safety category spec.	TTA	[]	WA: [] Battery-less Abs.	20: 200mm 30: 300mm 40: 400mm 50: 500mm	[]	20: 200mm 30: 300mm 40: 400mm 50: 500mm	[]	10: 100mm 15: 150mm	[]	18: ±180° 36L: ±360° (with home limit switch)	[]	NP: NPN spec. PN: PNP spec.	[]	[]	0: None 2: 2m 3: 3m 5: 5m	[]	Please refer to the options table below
					NM: Non-motor end specification			B: Brake (Standard) CO: With cover NM: Non-motor end spec.		ML: Motor side-mounted to the left MR: Motor side-mounted to the right *One of these must be selected.			Refer to the expansion I/O slot table below. * Enter [E] if unused.		PU: Power connector only 1: Power supply cable for 100VAC (2m) 2: Power supply cable for 200VAC (2m)		



*CE marking only supports safety category specifications.



- (Note 1) The maximum acceleration/deceleration varies depending on the payload, but stepper motors cannot operate at maximum speed with the maximum payload. When the payload is reduced, the speed increases. (See P.57) Please note that depending on the load moment of inertia, the rotational axis may not reach the maximum speed. (See P.58 and 60)
- (Note 2) Positioning repeatability only be guaranteed when actuator's body temperature is constant. It does not guarantee the absolute accuracy.
- (Note 3) The dynamic allowable moment is the value for each axis. The standard service life is 5,000km for a standard load coefficient of 1.5. (Please refer to P.61 for more information about dynamic allowable moment)
- (Note 4) When placing the workpiece on the X-slider, be sure to allow at least 2mm clearance from the unit surface.

Model / Specifications

Lead and Payload

Model Number	Axis Configuration	Lead (mm)	Stroke (mm)	Speed (mm/s)	Payload (kg)/(Note 1)	Max. Load Inertia Moment (kg-m ²)
TTA-A4SL(G)-WA-{20/30/40/50}[]-{20/30/40/50}[]	X-axis	8	200~500	1~600	30	-
	Y-axis	8	200~500	1~600	-	-
	Z-axis	2.14 or equiv.	100/150	1~170	-	-
	R-axis	-	18: ±180°, 36L: ±360°	1,500deg/s	15	0.01
TTA-A4SH(G)-WA-{20/30/40/50}[]-{20/30/40/50}[]	X-axis	16	200 300~500	1,000 1,200	15	-
	Y-axis	16	200	700	-	-
			300	900	-	-
			400	1,050	-	-
			500	1,200	-	-
	Z-axis	5 or equiv.	100/150	1~400	-	-
R-axis	-	18: ±180°, 36L: ±360°	1,500deg/s	7	0.01	
TTA-A4(G)-WA-{20/30/40/50}[]-{20/30/40/50}[]	X-axis	24 or equiv.	200~500	1~800	20	-
	Y-axis	24 or equiv.	200~500	1~800	-	-
	Z-axis	12	100/150	1~400	-	-
	R-axis	-	18: ±180°, 36L: ±360°	1,000deg/s	6	0.01

Options

* Please check the Options reference pages to confirm each option.

Name	Option Code	Reference Page
Additional pillar for 20-15 and 20-20 types	AP	See P.50
Brake (Standard equipment)	B	See P.50
Z-axis cover included	CO	See P.50
Y-axis mounting position 90mm forward	F1	See P.50
Y-axis mounting position 180mm forward	F2	See P.50
Foot bracket included specification (4 pcs) X-axis stroke 20/30	FT4	See P.50
Foot bracket included specification (6 pcs) X-axis stroke 40/50	FT6	See P.50
ZR-axis mounting position 64.5mm forward	FZ	See P.50
Y-axis mounting position height 50mm up	H1	See P.51
Y-axis mounting position height 100mm up	H2	See P.51
Motor side-mounted to the left	ML	See P.51
Motor side-mounted to the right	MR	See P.51
Non-motor end specification	NM	See P.51
Detachable operation console	OS	See P.52
Installation side plate (with hole)	PTH	See P.51
Installation side plate (without hole)	PTN	See P.51
Individual stroke side slot installation specification	SLT	See P.51
Side slot 180mm installation specification X-axis stroke 20/30	SLTO	See P.51
Side slot 180mm installation specification X-axis stroke 40/50	SLTO	See P.51
Additional switch	*	See P.52

Expansion I/O Slot

Name	Option Code
Expansion PIO board (NPN spec.)	NP
DeviceNet connection board	DV
CC-Link connection board	CC
PROFIBUS-DP connection board	PR
EtherNet/IP connection board	EP
EtherCAT connection board	EC
IA Net connection board	IA
RS232C connection board	SE1
RS485 connection board	SE2

* The option code for the additional switch(es) depends on the items selected by the customer. Please refer to P.52 for more information.

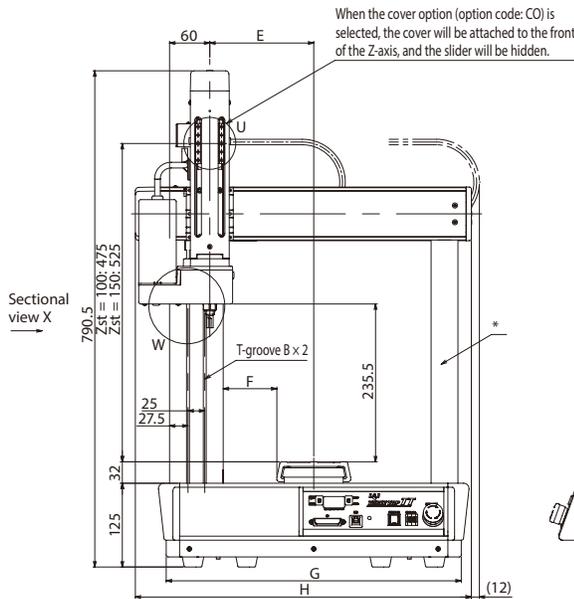
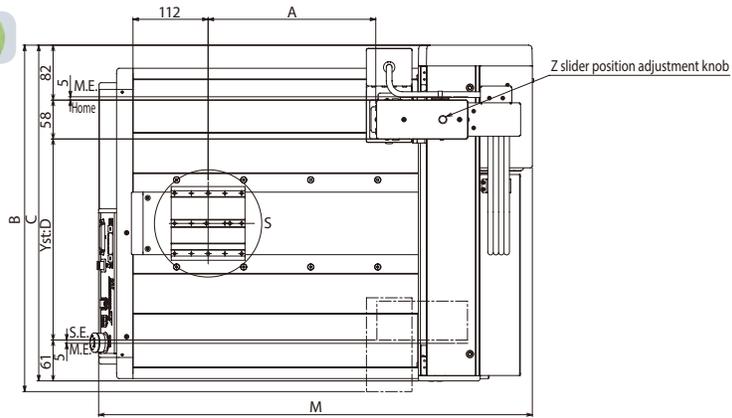
Dimensions

CAD drawings can be downloaded from our website.
www.intelligentactuator.com

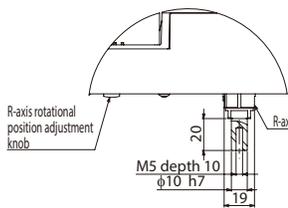
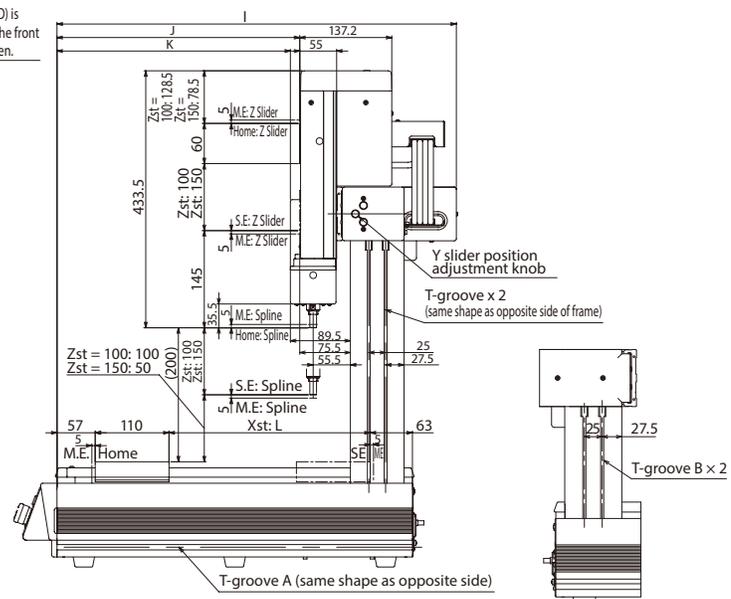


*When the slider is returning to its home position, please be careful of interference from surrounding objects, as it will travel until it reaches the M.E.

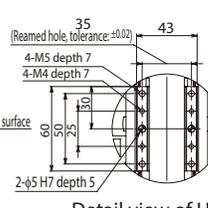
S.E: Stroke end
M.E: Mechanical end



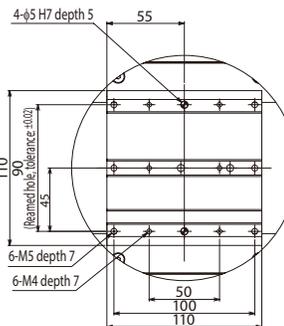
*Not available for A4-20-20 model.



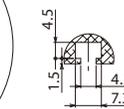
Detail view of W (R spline tip details)



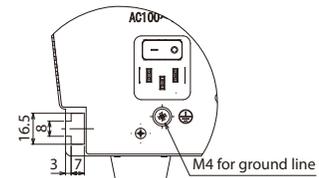
Detail view of U (Z-axis slider details)



Detail view of S (X-axis slider details)



T-groove B shape



T-groove A shape

Sectional view X

Actuator Specifications

Item	Description	
	AC Servo Motor	Stepper Motor
Drive system	Ball screw (X, Y-axis: $\phi 12\text{mm}$, Z-axis: $\phi 10\text{mm}$, rolled C5 or equiv.) Low lead Z-axis: 1:1.4 speed reduction with timing belt High lead Z-axis: 1:1.2 speed reduction with timing belt	Ball screw (X, Y-axis: $\phi 12\text{mm}$, Z-axis: $\phi 10\text{mm}$, Rolled C10) X, Y-axis: 1.5:1 speed increase with timing belt
Positioning repeatability (Note 2)	$\pm 0.005\text{mm}$, R-axis: $\pm 0.008^\circ$	$\pm 0.01\text{mm}$, R-axis: $\pm 0.01^\circ$
Lost motion	Low lead X, Y-axis: 0.025mm or less Z-axis: 0.02mm or less, R-axis: 0.06° or less High lead X, Y-axis: 0.04mm or less Z-axis: 0.02mm or less, R-axis: 0.06° or less	X, Y, Z-axis: 0.05mm or less R-axis: 0.06° or less
Dynamic allowable moment (Note 3)	X-axis: Ma: 18.8N·m Mb: 18.8N·m Mc: 37.8N·m Y-axis: Ma: 14.9N·m Mb: 14.9N·m Mc: 44.3N·m Z-axis: Ma: 11.5N·m Mb: 11.5N·m Mc: 24.3N·m *1	
Ambient temp./humidity	0~40°C, 85% RH or less (Non-condensing)	
Max. weight on table*2	20-20: 20kg, 30-30: 30kg, 40-40: 40kg, 50-50: 50kg	
Unit weight	20-20: 29.3kg 30-30: 36.3kg 40-40: 42.3kg 50-50: 49.3kg	20-20: 28.3kg 30-30: 35.3kg 40-40: 41.3kg 50-50: 48.3kg

	20-20	30-30	40-40	50-50
A	150	250	350	450
B	421.2	521.2	621.2	721.2
C	401	501	601	701
D	200	300	400	500
E	105	155	205	255
F	30	80	130	180
G	340	440	540	640
H	401	501	601	701
I	495.5	595.5	695.5	795.5
J	262	362	462	562
K	248	348	448	548
L	200	300	400	500
M	546.8	646.8	746.8	846.8

* Reference for overhang load length / R-axis: $r=100\text{mm}$ or less
*1 Ma and Mb for ZR-axis are the total of those for the Z-axis and R-axis. Mc is the value of the Z-axis only.

*2 The "table" section refers to the top surface of the unit excludes the X-axis slider. This is not the X-axis payload.

Dimensions

CAD drawings can be downloaded from our website.
www.intelligentactuator.com

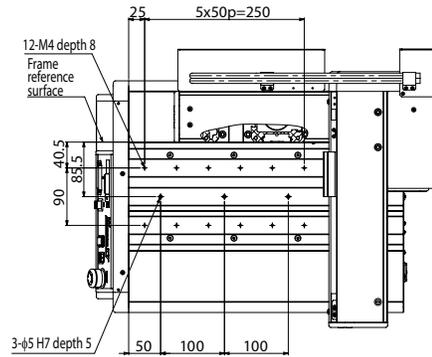
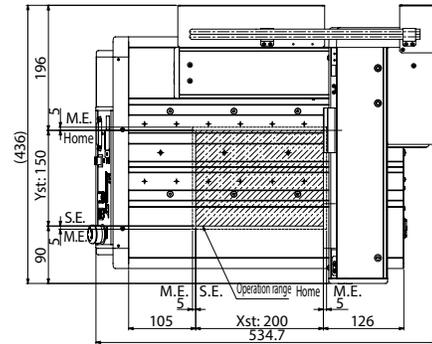
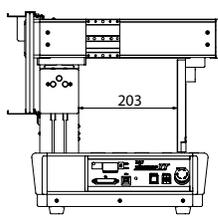


*When the slider is returning to its home position, please be careful of interference from surrounding objects, as it will travel until it reaches the M.E.

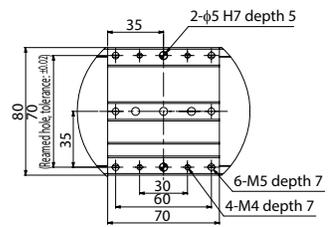
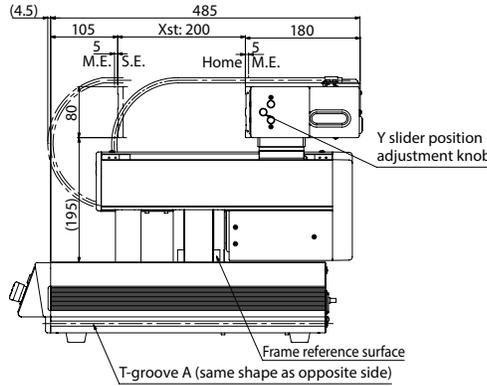
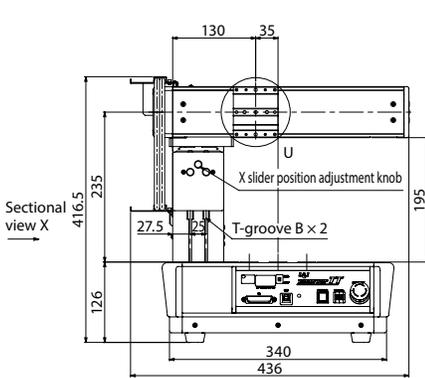
S.E: Stroke end

M.E: Mechanical end

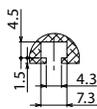
■ Dimensions for AC servo motor type and stepper motor type with the additional pillar option (AP)



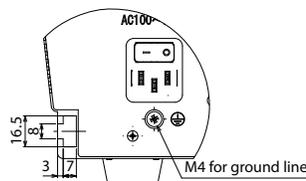
Top base hole layout



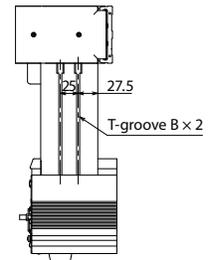
Detail view of U (Y-axis slider details)



T-groove B shape



T-groove A shape



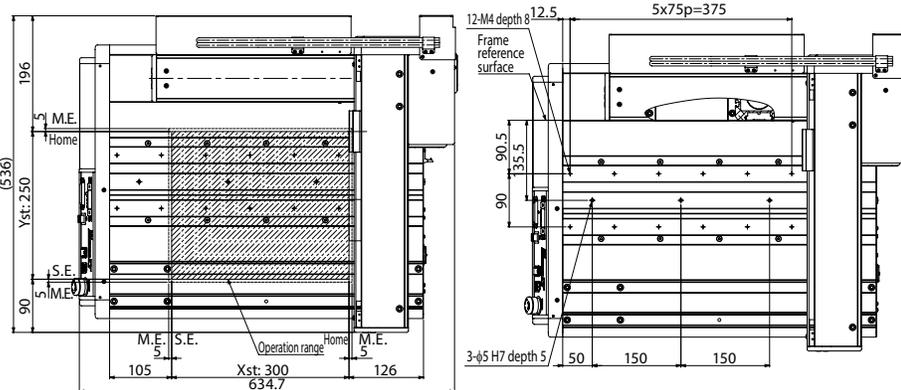
Sectional view X

Dimensions

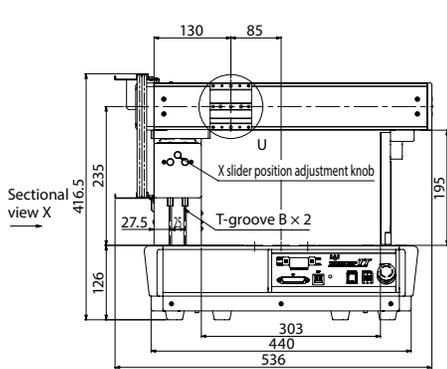
CAD drawings can be downloaded from our website.
www.intelligentactuator.com



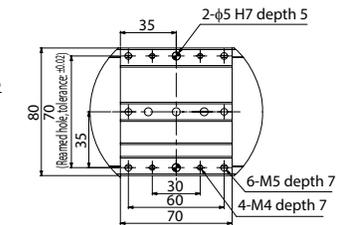
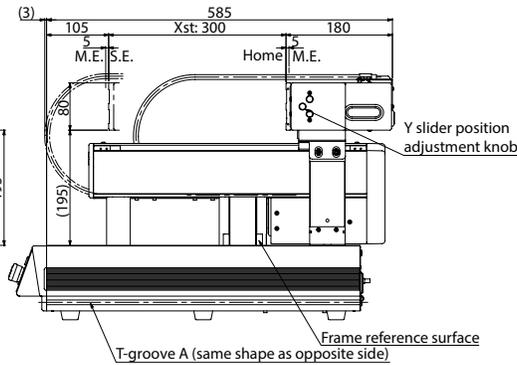
*When the slider is returning to its home position, please be careful of interference from surrounding objects, as it will travel until it reaches the M.E.
 S.E: Stroke end
 M.E: Mechanical end



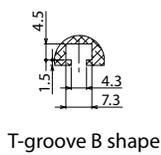
Top base hole layout



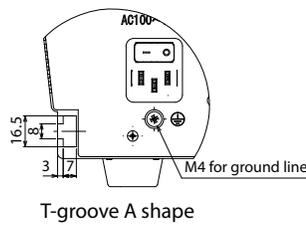
Sectional view X



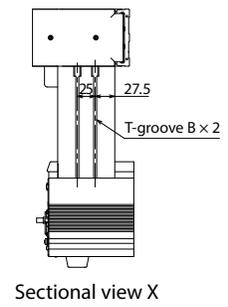
Detail view of U (Y-axis slider details)



T-groove B shape



T-groove A shape



Sectional view X

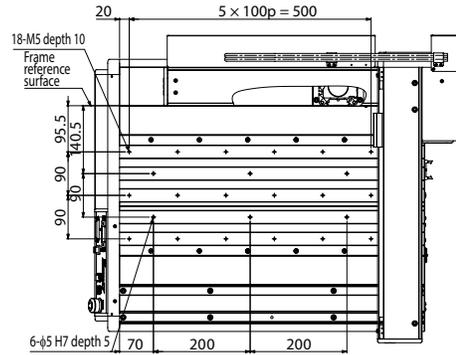
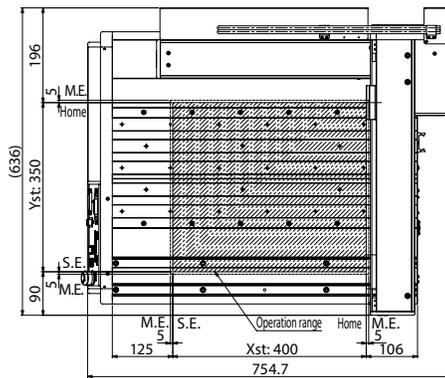
Dimensions

CAD drawings can be downloaded from our website.

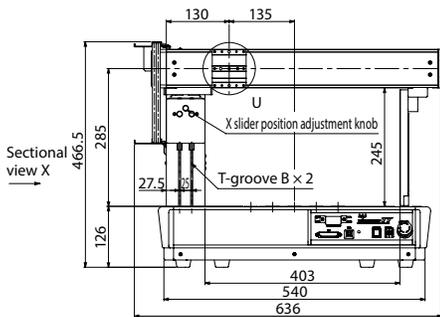
www.intelligentactuator.com



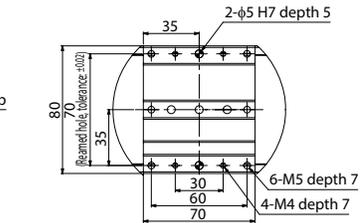
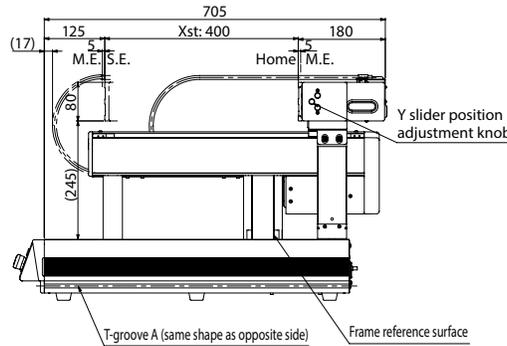
*When the slider is returning to its home position, please be careful of interference from surrounding objects, as it will travel until it reaches the M.E.
S.E: Stroke end
M.E: Mechanical end



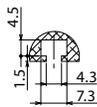
Top base hole layout



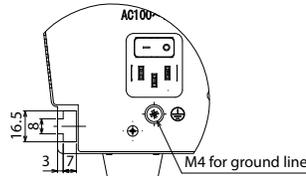
Sectional view X



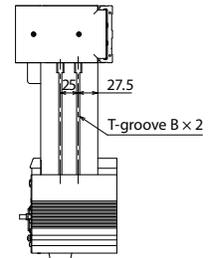
Detail view of U (Y-axis slider details)



T-groove B shape



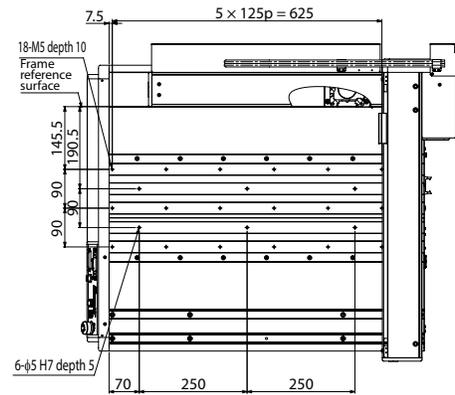
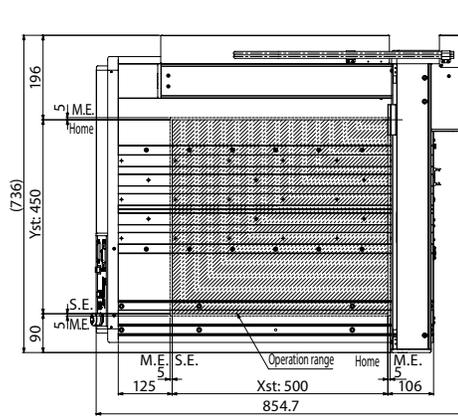
T-groove A shape



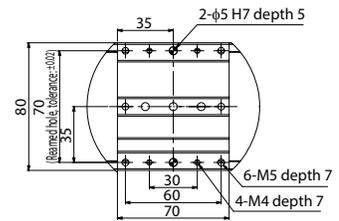
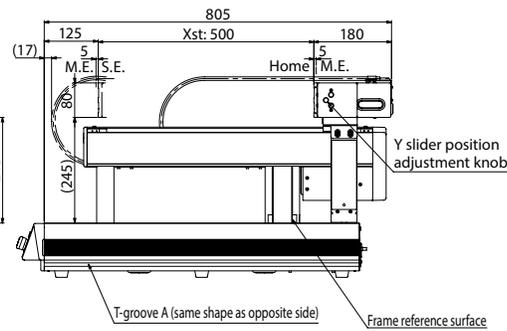
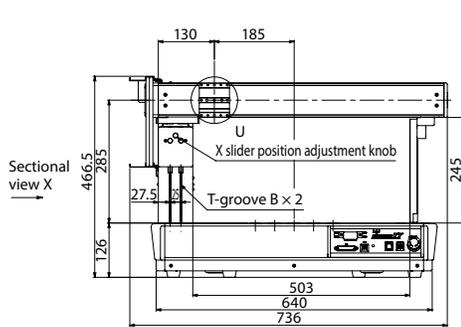
Sectional view X



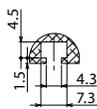
*When the slider is returning to its home position, please be careful of interference from surrounding objects, as it will travel until it reaches the M.E.
 S.E: Stroke end
 M.E: Mechanical end



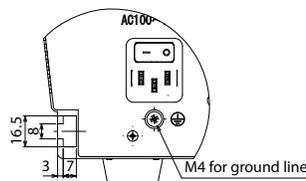
Top base hole layout



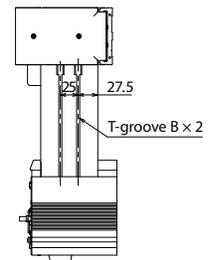
Detail view of U
 (Y-axis slider details)



T-groove B shape



T-groove A shape



Sectional view X

TTA-C3S□(G)-20-15 Tabletop Robot, Cantilever Type 3-axis, X-axis 200mm, Y-axis 150mm, Z-axis 100mm/150mm, AC Servo Motor

TTA-C3(G)-20-15 Tabletop Robot, Cantilever Type 3-axis, X-axis 200mm, Y-axis 150mm, Z-axis 100mm/150mm, Stepper Motor

Model Specification Items

Series	Type	Encoder Type	X-axis Stroke	X-axis Option	Y-axis Stroke	Y-axis Option	Z-axis Stroke	Z-axis Option	Standard I/O Slot	Expansion I/O Slot 1	Expansion I/O Slot 2	I/O Cable Length	Power Supply Cable Spec.	Options
C3SL: 3-axis low lead spec. C3SLG: 3-axis low lead safety category spec. C3SH: 3-axis high lead spec. C3SHG: 3-axis high lead safety category spec. C3: 3-axis standard spec. C3G: 3-axis safety category spec.	WA	Battery-less Abs.	20:200mm	15:150mm	NM: Non-motor end specification	10:100mm 15:150mm	B: Brake (Standard) NM: Non-motor end specification	NP: NPN spec. PN: PNP spec.	Refer to the expansion I/O slot table below. * Enter [E] if unused.	0: None 2: 2m 3: 3m 5: 5m	PU: Power connector only 1: Power supply cable for 100VAC (2m) 2: Power supply cable for 200VAC (2m)	Please refer to the options table below		



*CE marking only supports safety category specifications.



POINT Selection Notes

- (Note 1) The maximum acceleration/deceleration varies depending on the payload, but stepper motors cannot operate at maximum speed with the maximum payload. When the payload is reduced, the speed increases. (See P.57)
- (Note 2) Positioning repeatability only be guaranteed when actuator's body temperature is constant. It does not guarantee the absolute accuracy.
- (Note 3) The dynamic allowable moment is the value for each axis. The standard service life is 5,000km for a standard load coefficient of 1.5. (Please refer to P.61 for more information about dynamic allowable moment)
- (Note 4) When fixing the workpiece to the unit, be sure to allow at least 2mm clearance from the operation range of the pillar.

Model / Specifications

Lead and Payload

Model Number	Axis Configuration	Encoder Type	Motor Type	Lead (mm)	Stroke (mm)	Speed (mm/s)	Payload (kg) (Note 1)
TTA-C3SL(G)-WA-20[1]-15[2]-[3]B[4]-[5]-[6]-[7]-[8]-[9]-[10]	X-axis	Battery-less absolute	AC servo motor	8	200	1~600	-
	Y-axis			8	150	1~600	-
	Z-axis			2.14 or equiv.	100/150	1~170	15
TTA-C3SH(G)-WA-20[1]-15[2]-[3]B[4]-[5]-[6]-[7]-[8]-[9]-[10]	X-axis			13.3 or equiv.	200	1~600	-
	Y-axis			13.3 or equiv.	150	1~600	-
	Z-axis			5 or equiv.	100/150	1~400	7
TTA-C3(G)-WA-20[1]-15[2]-[3]B[4]-[5]-[6]-[7]-[8]-[9]-[10]	X-axis		Stepper motor	24 or equiv.	200	1~600	-
	Y-axis			24 or equiv.	150	1~540	-
	Z-axis			12	100/150	1~400	6

Legend: [1][2] XY-axis options [3] Z-axis stroke [4] Z-axis option [5] Standard I/O slot [6][7] Expansion I/O slots [8] I/O cable length [9] Power supply cable specification [10] Options

Expansion I/O Slot

Name	Option Code
Expansion PIO board (NPN spec.)	NP
DeviceNet connection board	DV
CC-Link connection board	CC
PROFIBUS-DP connection board	PR
EtherNet/IP connection board	EP
EtherCAT connection board	EC
IA Net connection board	IA
RS232C connection board	SE1
RS485 connection board	SE2

Actuator Specifications

Item	Description	
	AC Servo Motor	Stepper Motor
Drive system	Ball screw (X, Y-axis: φ12mm, Z-axis: φ10mm, rolled C5 or equiv.) Low lead Z-axis: 1:1.4 speed reduction with timing belt High lead X, Y, Z-axis: 1:1.2 speed reduction with timing belt	Ball screw (X, Y-axis: φ12mm, Z-axis: φ10mm, rolled C10) X, Y-axis: 1.5:1 speed increase with timing belt
Positioning repeatability (Note 2)	±0.005mm	±0.01mm
Lost motion	Low lead X, Y-axis: 0.025mm or less Z-axis: 0.02mm or less High lead X, Y-axis: 0.04mm or less Z-axis: 0.02mm or less	0.05mm or less
Dynamic allowable moment (Note 3)	X-axis: Ma: 14.9N·m Mb: 14.9N·m Mc: 44.3N·m Y-axis: Ma: 14.9N·m Mb: 14.9N·m Mc: 44.3N·m Z-axis: Ma: 11.5N·m Mb: 11.5N·m Mc: 24.3N·m	
Ambient temp./humidity	0~40°C, 85% RH or less (Non-condensing)	
Max. weight on table	40kg	
Unit weight	29.3kg	

Options * Please check the Options reference pages to confirm each option.

Name	Option Code	Reference Page
Additional pillar for 20-15 and 20-20 types *1	AP	See P.50
Brake (Standard equipment)	B	See P.50
Foot bracket included specification (4 pcs) X-axis stroke 20/30	FT4	See P.50
Y-axis mounting position height 50mm up	H1	See P.51
Y-axis mounting position height 100mm up	H2	See P.51
Non-motor end specification	NM	See P.51
Detachable operation console	OS	See P.52
Individual stroke side slot installation specification	SLT	See P.51
Side slot 180mm installation specification X-axis stroke 20/30	SLTO	See P.51
Additional switch	*	See P.52

* The option code for the additional switch(es) depends on the items selected by the customer. Please refer to P.52 for more information.

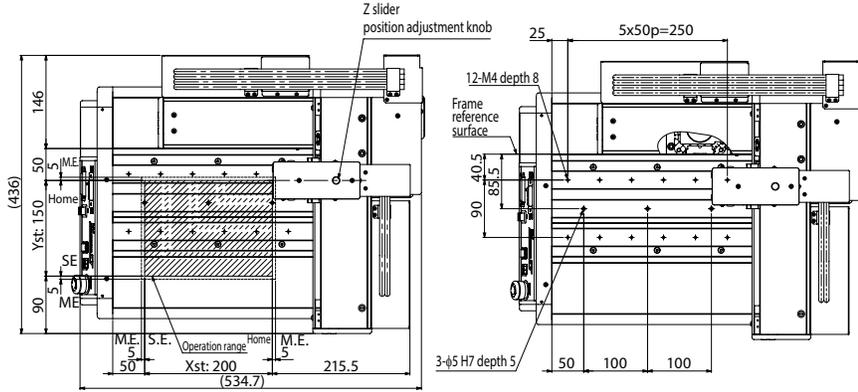
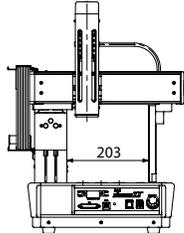
*1 Additional pillar for 20-15/20-20 types (AP) can only be selected for the stepper motor specification.
AC servo motor specification is equipped with a support pillar as standard.



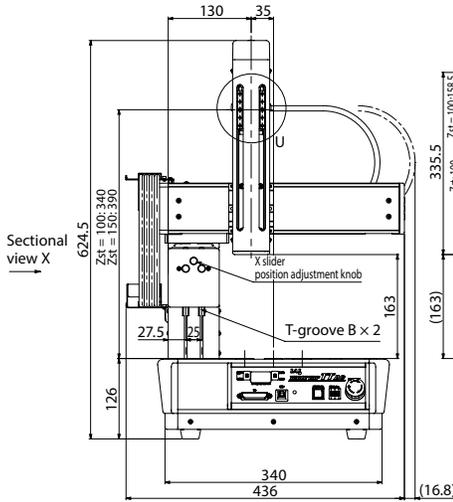
*When the slider is returning to its home position, please be careful of interference from surrounding objects, as it will travel until it reaches the M.E.

S.E: Stroke end
M.E: Mechanical end

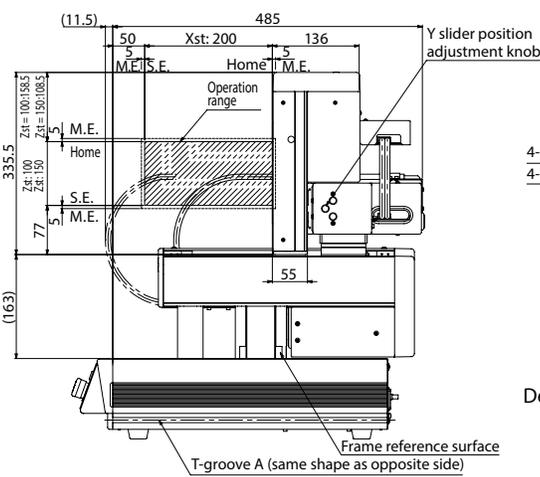
■ Dimensions for AC servo motor type and stepper motor type with the additional pillar option (AP)



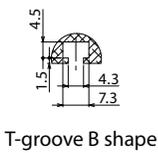
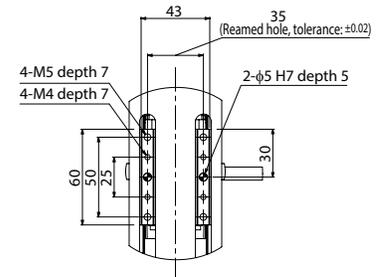
Top base hole layout



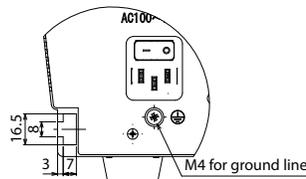
Sectional view X



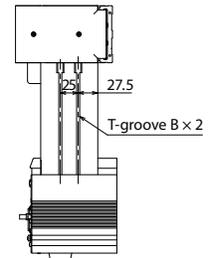
Detail view of U (Z-axis slider details)



T-groove B shape



T-groove A shape



Sectional view X

TTA-C3S□(G)-30-25 Tabletop Robot, Cantilever Type 3-axis, X-axis 300mm, Y-axis 250mm, Z-axis 100mm/150mm, AC Servo Motor

TTA-C3(G)-30-25 Tabletop Robot, Cantilever Type 3-axis, X-axis 300mm, Y-axis 250mm, Z-axis 100mm/150mm, Stepper Motor

Model Specification Items

Series	Type	Encoder Type	X-axis Stroke	X-axis Option	Y-axis Stroke	Y-axis Option	Z-axis Stroke	Z-axis Option	Standard I/O Slot	Expansion I/O Slot 1	Expansion I/O Slot 2	I/O Cable Length	Power Supply Cable Spec.	Options
TTA-□	□	WA	30	□	25	□	□	□	□	□	□	□	□	□
C3SL: 3-axis low lead spec. C3SLG: 3-axis low lead safety category spec. C3SH: 3-axis high lead spec. C3SHG: 3-axis high lead safety category spec. C3: 3-axis standard spec. C3G: 3-axis safety category spec.			WA: Battery-less Abs.	30:300mm	25:250mm	NM: Non-motor end specification	10:100mm 15:150mm	B: Brake (Standard) NM: Non-motor end specification	NP: NPN spec. PN: PNP spec.	Refer to the expansion I/O slot table below. * Enter [E] if unused.		0: None 2: 2m 3: 3m 5: 5m	PU: Power connector only 1: Power supply cable for 100VAC (2m) 2: Power supply cable for 200VAC (2m)	Please refer to the options table below



*CE marking only supports safety category specifications.



POINT Selection Notes

- (Note 1) The maximum acceleration/deceleration varies depending on the payload, but stepper motors cannot operate at maximum speed with the maximum payload. When the payload is reduced, the speed increases. (See P.57)
- (Note 2) Positioning repeatability only be guaranteed when actuator's body temperature is constant. It does not guarantee the absolute accuracy.
- (Note 3) The dynamic allowable moment is the value for each axis. The standard service life is 5,000km for a standard load coefficient of 1.5. (Please refer to P.61 for more information about dynamic allowable moment)
- (Note 4) When fixing the workpiece to the unit, be sure to allow at least 2mm clearance from the operation range of the pillar.

Model / Specifications

Lead and Payload

Model Number	Axis Configuration	Encoder Type	Motor Type	Lead (mm)	Stroke (mm)	Speed (mm/s)	Payload (kg) (Note 1)	
TTA-C3SL(G)-WA-30□1-25□2-□3B□4-□5-□6-□7-□8-□9-□10	X-axis	Battery-less absolute	AC servo motor	8	300	1~600	-	
	Y-axis			8	250	1~600	-	
	Z-axis			2.14 or equiv.	100/150	1~170	15	
TTA-C3SH(G)-WA-30□1-25□2-□3B□4-□5-□6-□7-□8-□9-□10	X-axis			13.3 or equiv.	300	1~750	-	
	Y-axis			13.3 or equiv.	250	1~800	-	
	Z-axis			5 or equiv.	100/150	1~400	7	
TTA-C3(G)-WA-30□1-25□2-□3B□4-□5-□6-□7-□8-□9-□10	X-axis		Stepper motor	Stepper motor	24 or equiv.	300	1~700	-
	Y-axis				24 or equiv.	250	1~640	-
	Z-axis				12	100/150	1~400	6

Legend: □1□2 XY-axis options □3 Z-axis stroke □4 Z-axis option □5 Standard I/O slot □6□7 Expansion I/O slots □8 I/O cable length □9 Power supply cable specification □10 Options

Expansion I/O Slot

Name	Option Code
Expansion PIO board (NPN spec.)	NP
DeviceNet connection board	DV
CC-Link connection board	CC
PROFIBUS-DP connection board	PR
EtherNet/IP connection board	EP
EtherCAT connection board	EC
IA Net connection board	IA
RS232C connection board	SE1
RS485 connection board	SE2

Actuator Specifications

Item	Description	
	AC Servo Motor	Stepper Motor
Drive system	Ball screw (X, Y-axis: φ12mm, Z-axis: φ10mm, rolled C5 or equiv.) Low lead Z-axis: 1:1.4 speed reduction with timing belt High lead X, Y, Z-axis: 1:1.2 speed reduction with timing belt	Ball screw (X, Y-axis: φ12mm, Z-axis: φ10mm, rolled C10) X, Y-axis: 1.5:1 speed increase with timing belt
Positioning repeatability (Note 2)	±0.005mm	±0.01mm
Lost motion	Low lead X, Y-axis: 0.025mm or less Z-axis: 0.02mm or less High lead X, Y-axis: 0.04mm or less Z-axis: 0.02mm or less	0.05mm or less
Dynamic allowable moment (Note 3)	X-axis: Ma: 14.9N·m Mb: 14.9N·m Mc: 44.3N·m Y-axis: Ma: 14.9N·m Mb: 14.9N·m Mc: 44.3N·m Z-axis: Ma: 11.5N·m Mb: 11.5N·m Mc: 24.3N·m	
Ambient temp./humidity	0~40°C, 85% RH or less (Non-condensing)	
Max. weight on table	60kg	
Unit weight	37.3kg	

Options * Please check the Options reference pages to confirm each option.

Name	Option Code	Reference Page
Brake (Standard equipment)	B	See P.50
Foot bracket included specification (4 pcs) X-axis stroke 20/30	FT4	See P.50
Y-axis mounting position height 50mm up	H1	See P.51
Y-axis mounting position height 100mm up	H2	See P.51
Non-motor end specification	NM	See P.51
Detachable operation console	OS	See P.52
Individual stroke side slot installation specification	SLT	See P.51
Side slot 180mm installation specification X-axis stroke 20/30	SLTO	See P.51
Additional switch	*	See P.52

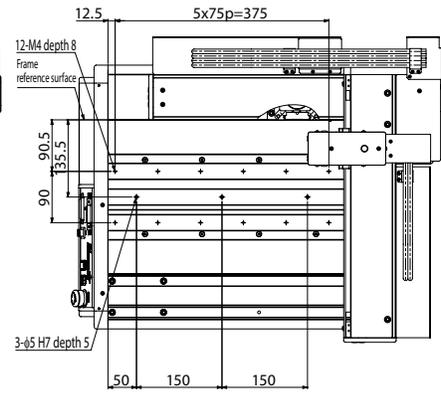
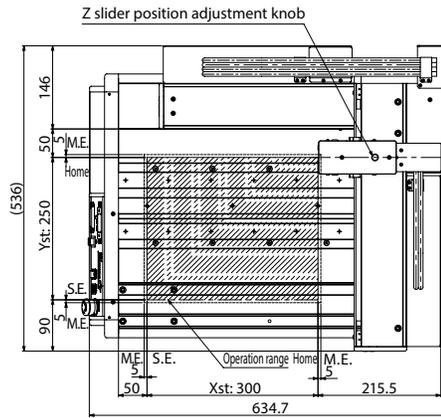
* The option code for the additional switch(es) depends on the items selected by the customer. Please refer to P.52 for more information.

Dimensions

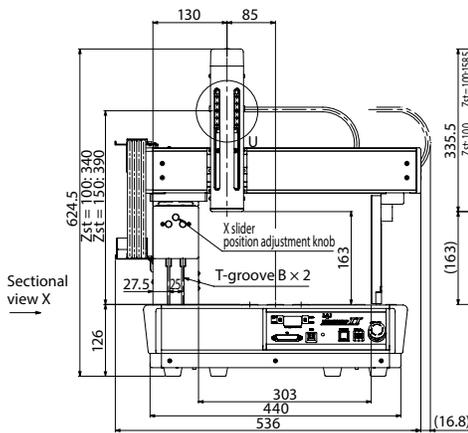
CAD drawings can be downloaded from our website.
www.intelligentactuator.com



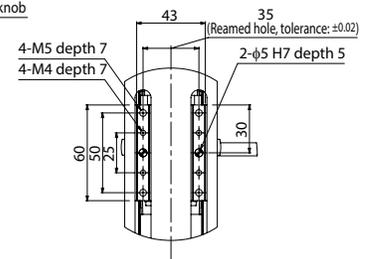
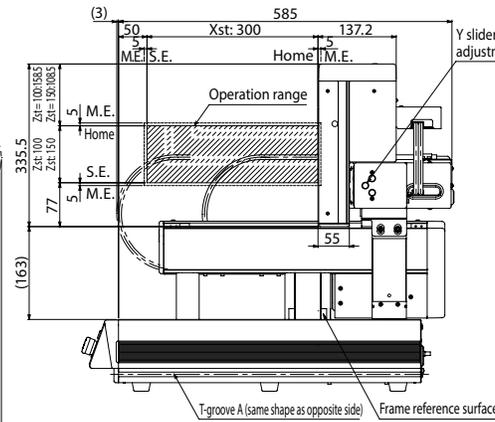
*When the slider is returning to its home position, please be careful of interference from surrounding objects, as it will travel until it reaches the M.E.
 S.E: Stroke end
 M.E: Mechanical end



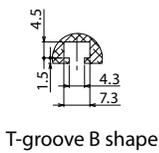
Top base hole layout



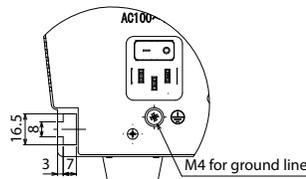
Sectional view X



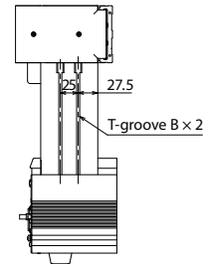
Detail view of U (Z-axis slider details)



T-groove B shape



T-groove A shape



Sectional view X

TTA-C3S□(G)-40-35 Tabletop Robot, Cantilever Type 3-axis, X-axis 400mm, Y-axis 350mm, Z-axis 100mm/150mm, AC Servo Motor

TTA-C3(G)-40-35 Tabletop Robot, Cantilever Type 3-axis, X-axis 400mm, Y-axis 350mm, Z-axis 100mm/150mm, Stepper Motor

Model Specification Items

Series	Type	Encoder Type	X-axis Stroke	X-axis Option	Y-axis Stroke	Y-axis Option	Z-axis Stroke	Z-axis Option	Standard I/O Slot	Expansion I/O Slot 1	Expansion I/O Slot 2	I/O Cable Length	Power Supply Cable Spec.	Options
TTA-□	□	WA	40	□	35	□	□	□	□	□	□	□	□	□
C3SL: 3-axis low lead spec. C3SLG: 3-axis low lead safety category spec. C3SH: 3-axis high lead spec. C3SHG: 3-axis high lead safety category spec. C3: 3-axis standard spec. C3G: 3-axis safety category spec.		WA: Battery-less Abs.	40:400mm		35:350mm		10:100mm 15:150mm		NP: NPN spec. PN: PNP spec.			0: None 2: 2m 3: 3m 5: 5m	PU: Power connector only 1: Power supply cable for 100VAC (2m) 2: Power supply cable for 200VAC (2m)	Please refer to the options table below



*CE marking only supports safety category specifications.



POINT Selection Notes

- (Note 1) The maximum acceleration/deceleration varies depending on the payload, but stepper motors cannot operate at maximum speed with the maximum payload. When the payload is reduced, the speed increases. (See P.57)
- (Note 2) Positioning repeatability only be guaranteed when actuator's body temperature is constant. It does not guarantee the absolute accuracy.
- (Note 3) The dynamic allowable moment is the value for each axis. The standard service life is 5,000km for a standard load coefficient of 1.5. (Please refer to P.61 for more information about dynamic allowable moment)
- (Note 4) When fixing the workpiece to the unit, be sure to allow at least 2mm clearance from the operation range of the pillar.

Model / Specifications

Lead and Payload

Model Number	Axis Configuration	Encoder Type	Motor Type	Lead (mm)	Stroke (mm)	Speed (mm/s)	Payload (kg) (Note 1)	
TTA-C3SL(G)-WA-40①-35②-③B④-⑤-⑥-⑦-⑧-⑨-⑩	X-axis	Battery-less absolute	AC servo motor	8	400	1~600	-	
	Y-axis			8	350	1~600	-	
	Z-axis			2.14 or equiv.	100/150	1~170	15	
TTA-C3SH(G)-WA-40①-35②-③B④-⑤-⑥-⑦-⑧-⑨-⑩	X-axis			13.3 or equiv.	400	1~850	-	
	Y-axis			13.3 or equiv.	350	1~1,000	-	
	Z-axis			5 or equiv.	100/150	1~400	7	
TTA-C3(G)-WA-40①-35②-③B④-⑤-⑥-⑦-⑧-⑨-⑩	X-axis		Stepper motor	Stepper motor	24 or equiv.	400	1~800	-
	Y-axis				24 or equiv.	350	1~800	-
	Z-axis				12	100/150	1~400	6

Legend: ①② XY-axis options ③ Z-axis stroke ④ Z-axis option ⑤ Standard I/O slot ⑥⑦ Expansion I/O slots ⑧ I/O cable length ⑨ Power supply cable specification ⑩ Options

⑥⑦ Expansion I/O Slot

Name	Option Code
Expansion PIO board (NPN spec.)	NP
DeviceNet connection board	DV
CC-Link connection board	CC
PROFIBUS-DP connection board	PR
EtherNet/IP connection board	EP
EtherCAT connection board	EC
IA Net connection board	IA
RS232C connection board	SE1
RS485 connection board	SE2

Actuator Specifications

Item	Description	
	AC Servo Motor	Stepper Motor
Drive system	Ball screw (X, Y-axis: φ12mm, Z-axis: φ10mm, rolled C5 or equiv.) Low lead Z-axis: 1:1.4 speed reduction with timing belt High lead X, Y, Z-axis: 1:1.2 speed reduction with timing belt	Ball screw (X, Y-axis: φ12mm, Z-axis: φ10mm, rolled C10) X, Y-axis: 1.5:1 speed increase with timing belt
Positioning repeatability (Note 2)	±0.005mm	±0.01mm
Lost motion	Low lead X, Y-axis: 0.025mm or less Z-axis: 0.02mm or less High lead X, Y-axis: 0.04mm or less Z-axis: 0.02mm or less	0.05mm or less
Dynamic allowable moment (Note 3)	X-axis: Ma: 14.9N·m Mb: 14.9N·m Mc: 44.3N·m Y-axis: Ma: 14.9N·m Mb: 14.9N·m Mc: 44.3N·m Z-axis: Ma: 11.5N·m Mb: 11.5N·m Mc: 24.3N·m	
Ambient temp./humidity	0~40°C, 85% RH or less (Non-condensing)	
Max. weight on table	80kg	
Unit weight	44.3kg	

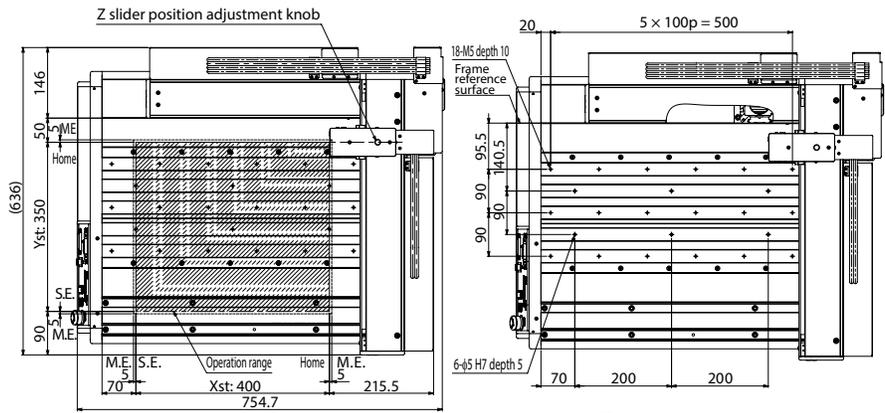
①②④⑩ Options * Please check the Options reference pages to confirm each option.

Name	Option Code	Reference Page
Brake (Standard equipment)	B	See P.50
Foot bracket included specification (6 pcs) X-axis stroke 40/50	FT6	See P.50
Y-axis mounting position height 50mm up	H1	See P.51
Y-axis mounting position height 100mm up	H2	See P.51
Non-motor end specification	NM	See P.51
Detachable operation console	OS	See P.52
Individual stroke side slot installation specification	SLT	See P.51
Side slot 180mm installation specification X-axis stroke 40/50	SLTO	See P.51
Additional switch	*	See P.52

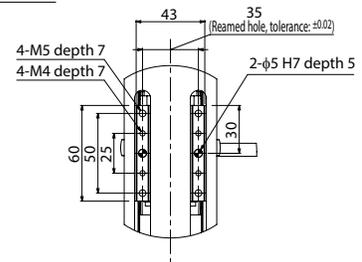
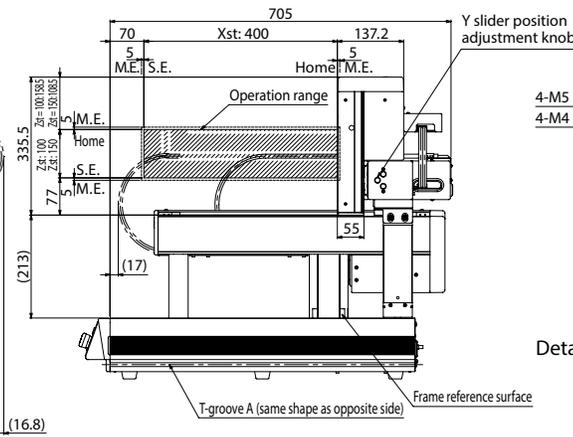
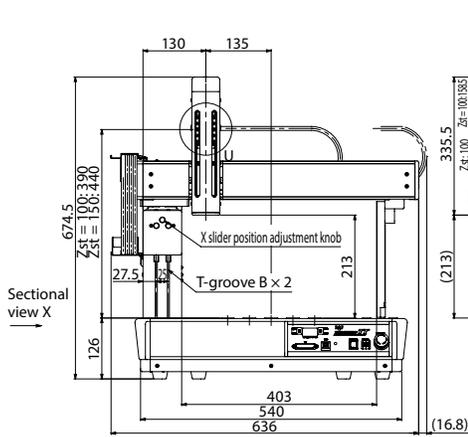
* The option code for the additional switch(es) depends on the items selected by the customer. Please refer to P.52 for more information.



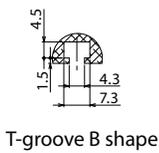
*When the slider is returning to its home position, please be careful of interference from surrounding objects, as it will travel until it reaches the M.E.
S.E: Stroke end
M.E: Mechanical end



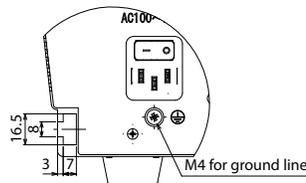
Top base hole layout



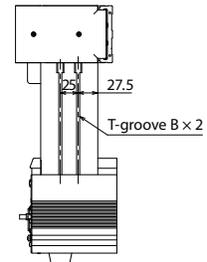
Detail view of U (Z-axis slider details)



T-groove B shape



T-groove A shape



Sectional view X

TTA-C3S□(G)-50-45 Tabletop Robot, Cantilever Type 3-axis, X-axis 500mm, Y-axis 450mm, Z-axis 100mm/150mm, AC Servo Motor

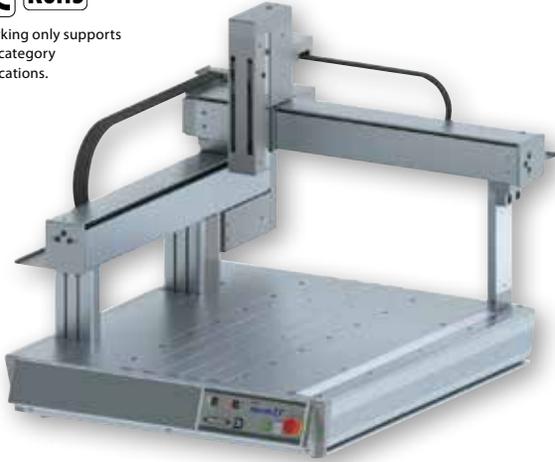
TTA-C3(G)-50-45 Tabletop Robot, Cantilever Type 3-axis, X-axis 500mm, Y-axis 450mm, Z-axis 100mm/150mm, Stepper Motor

Model Specification Items

Series	Type	Encoder Type	X-axis Stroke	X-axis Option	Y-axis Stroke	Y-axis Option	Z-axis Stroke	Z-axis Option	Standard I/O Slot	Expansion I/O Slot 1	Expansion I/O Slot 2	I/O Cable Length	Power Supply Cable Spec.	Options
C3SL: 3-axis low lead spec. C3SLG: 3-axis low lead safety category spec. C3SH: 3-axis high lead spec. C3SHG: 3-axis high lead safety category spec. C3: 3-axis standard spec. C3G: 3-axis safety category spec.	WA	Battery-less Abs.	50:500mm	45:450mm	NM: Non-motor end specification	10:100mm 15:150mm	B: Brake (Standard) NM: Non-motor end specification	NP: NPN spec. PN: PNP spec.	Refer to the expansion I/O slot table below. * Enter [E] if unused.	0: None 2: 2m 3: 3m 5: 5m	PU: Power connector only 1: Power supply cable for 100VAC (2m) 2: Power supply cable for 200VAC (2m)	Please refer to the options table below		



*CE marking only supports safety category specifications.



POINT Selection Notes

- (Note 1) The maximum acceleration/deceleration varies depending on the payload, but stepper motors cannot operate at maximum speed with the maximum payload. When the payload is reduced, the speed increases. (See P.57)
- (Note 2) Positioning repeatability only be guaranteed when actuator's body temperature is constant. It does not guarantee the absolute accuracy.
- (Note 3) The dynamic allowable moment is the value for each axis. The standard service life is 5,000km for a standard load coefficient of 1.5. (Please refer to P.61 for more information about dynamic allowable moment)
- (Note 4) When fixing the workpiece to the unit, be sure to allow at least 2mm clearance from the operation range of the pillar.

Model / Specifications

Lead and Payload

Model Number	Axis Configuration	Encoder Type	Motor Type	Lead (mm)	Stroke (mm)	Speed (mm/s)	Payload (kg) (Note 1)
TTA-C3SL(G)-WA-50□1-45□2-□3B□4-□5-□6-□7-□8-□9-□10	X-axis	Battery-less absolute	AC servo motor	8	500	1~600	-
	Y-axis			8	450	1~600	-
	Z-axis			2.14 or equiv.	100/150	1~170	15
TTA-C3SH(G)-WA-50□1-45□2-□3B□4-□5-□6-□7-□8-□9-□10	X-axis			13.3 or equiv.	500	1~1,000	-
	Y-axis			13.3 or equiv.	450	1~1,000	-
	Z-axis			5 or equiv.	100/150	1~400	7
TTA-C3(G)-WA-50□1-45□2-□3B□4-□5-□6-□7-□8-□9-□10	X-axis		Stepper motor	24 or equiv.	500	1~800	-
	Y-axis			24 or equiv.	450	1~800	-
	Z-axis			12	100/150	1~400	6

Legend: □1□2 XY-axis options □3 Z-axis stroke □4 Z-axis option □5 Standard I/O slot □6□7 Expansion I/O slots □8 I/O cable length □9 Power supply cable specification □10 Options

Expansion I/O Slot

Name	Option Code
Expansion PIO board (NPN spec.)	NP
DeviceNet connection board	DV
CC-Link connection board	CC
PROFIBUS-DP connection board	PR
EtherNet/IP connection board	EP
EtherCAT connection board	EC
IA Net connection board	IA
RS232C connection board	SE1
RS485 connection board	SE2

Actuator Specifications

Item	Description	
	AC Servo Motor	Stepper Motor
Drive system	Ball screw (X, Y-axis: φ12mm, Z-axis: φ10mm, rolled C5 or equiv.) Low lead Z-axis: 1:1.4 speed reduction with timing belt High lead X, Y, Z-axis: 1:1.2 speed reduction with timing belt	Ball screw (X, Y-axis: φ12mm, Z-axis: φ10mm, rolled C10) X, Y-axis: 1.5:1 speed increase with timing belt
Positioning repeatability (Note 2)	±0.005mm	±0.01mm
Lost motion	Low lead X, Y-axis: 0.025mm or less Z-axis: 0.02mm or less High lead X, Y-axis: 0.04mm or less Z-axis: 0.02mm or less	0.05mm or less
Dynamic allowable moment (Note 3)	X-axis: Ma: 14.9N·m Mb: 14.9N·m Mc: 44.3N·m Y-axis: Ma: 14.9N·m Mb: 14.9N·m Mc: 44.3N·m Z-axis: Ma: 11.5N·m Mb: 11.5N·m Mc: 24.3N·m	
Ambient temp./humidity	0~40°C, 85% RH or less (Non-condensing)	
Max. weight on table	100kg	
Unit weight	51.3kg	

Options * Please check the Options reference pages to confirm each option.

Name	Option Code	Reference Page
Brake (Standard equipment)	B	See P.50
Foot bracket included specification (6 pcs) X-axis stroke 40/50	FT6	See P.50
Y-axis mounting position height 50mm up	H1	See P.51
Y-axis mounting position height 100mm up	H2	See P.51
Non-motor end specification	NM	See P.51
Detachable operation console	OS	See P.52
Individual stroke side slot installation specification	SLT	See P.51
Side slot 180mm installation specification X-axis stroke 40/50	SLTO	See P.51
Additional switch	*	See P.52

* The option code for the additional switch(es) depends on the items selected by the customer. Please refer to P.52 for more information.

Dimensions

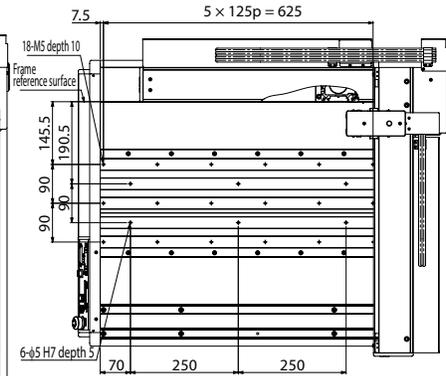
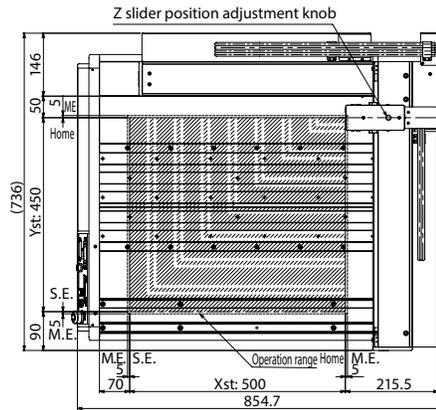
CAD drawings can be downloaded from our website.

www.intelligentactuator.com

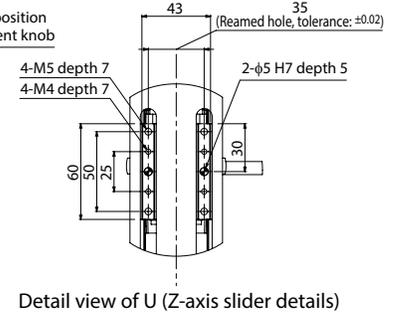
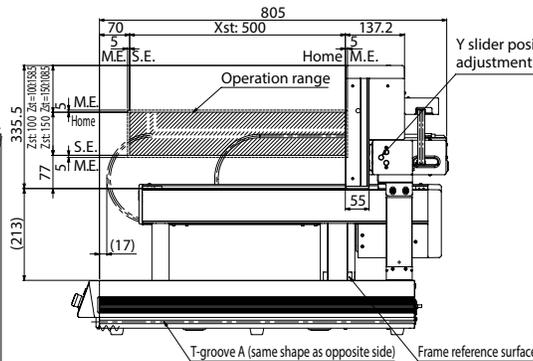
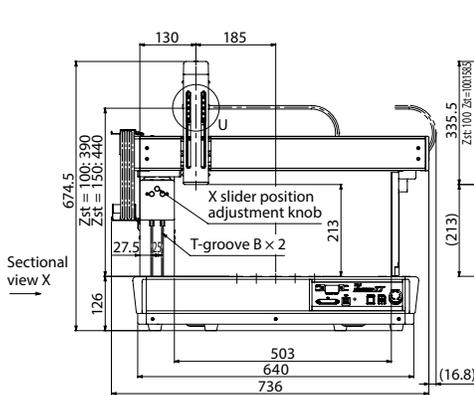


*When the slider is returning to its home position, please be careful of interference from surrounding objects, as it will travel until it reaches the M.E.

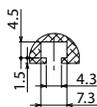
S.E: Stroke end
M.E: Mechanical end



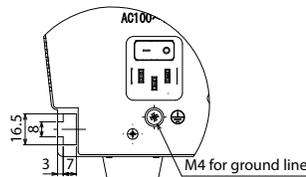
Top base hole layout



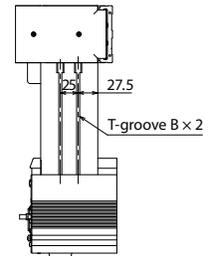
Detail view of U (Z-axis slider details)



T-groove B shape



T-groove A shape



Sectional view X

TTA-C4S□(G)-□-□ Tabletop Robot, Cantilever Type 4-axis, AC Servo Motor

TTA-C4(G)-□-□ Tabletop Robot, Cantilever Type 4-axis, Stepper Motor

Model Spec. Items	Series	Type	Encoder Type	X-axis Stroke	X-axis Option	Y-axis Stroke	Y-axis Option	Z-axis Stroke	Z-axis Option	R-axis Stroke	R-axis Option	Standard I/O Slot	Expansion I/O Slot 1	Expansion I/O Slot 2	I/O Cable Length	Power Supply Cable Spec.	Options
C4SL: 4-axis ZR type, low lead spec. C4SLG: 4-axis ZR type, low lead Safety category specification C4SH: 4-axis ZR type, high lead spec. C4SHG: 4-axis ZR type, high lead Safety category specification C4: 4-axis ZR type, standard spec. C4G: 4-axis ZR type, safety category spec.			WA: 20: 200mm Battery-less Abs. 30: 300mm 40: 400mm 50: 500mm	20: 200mm 30: 300mm 40: 400mm 50: 500mm		15: 150mm 25: 250mm 35: 350mm 45: 450mm		10: 100mm 15: 150mm		18: ±180° 36L: ±360° (with home limit switch)		NP: NPN spec. PN: PNP spec.			0: None 2: 2m 3: 3m 5: 5m		Please refer to the options table below
							NM: Non-motor end specification		B: Brake (Standard) CO: With cover NM: Non-motor end spec.		MR: Motor side-mounted to the right		Refer to the expansion I/O slot table below. * Enter [E] if unused.			PU: Power connector only 1: Power supply cable for 100VAC (2m) 2: Power supply cable for 200VAC (2m)	



*CE marking only supports safety category specifications.



- (Note 1) The maximum acceleration/deceleration varies depending on the payload, but stepper motors cannot operate at maximum speed with the maximum payload. When the payload is reduced, the speed increases. (See P.57) Please note that depending on the load moment of inertia, the rotational axis may not reach the maximum speed. (See P.58 and 60)
- (Note 2) Positioning repeatability only be guaranteed when actuator's body temperature is constant. It does not guarantee the absolute accuracy.
- (Note 3) The dynamic allowable moment is the value for each axis. The standard service life is 5,000km for a standard load coefficient of 1.5. (Please refer to P.61 for more information about dynamic allowable moment)
- (Note 4) When fixing the workpiece to the unit, be sure to allow at least 2mm clearance from the operation range of the pillar.

Model / Specifications

Lead and Payload

Model Number	Axis Configuration	Lead (mm)	Stroke (mm)	Speed (mm/s)	Payload (kg)(Note 1)	Max. Load Inertia Moment (kg-m ²)
TTA-C4SL(G)-WA-{20/30/40/50}□-{15/25/35/45}□	X-axis	8	200~500	1~600	-	-
	Y-axis	8	150~450	1~600	-	-
	Z-axis	2.14 or equiv.	100/150	1~170	15	-
	R-axis	-	18: ±180°, 36L: ±360°	1,500deg./s	-	0.01
TTA-C4SH(G)-WA-{20/30/40/50}□-{15/25/35/45}□	X-axis	13.3 or equiv.	200	600	-	-
			300	750	-	-
			400	850	-	-
			500	1,000	-	-
	Y-axis	13.3 or equiv.	150	600	-	-
			250	800	-	-
Z-axis	5 or equiv.	350~450	1,000	-	-	
R-axis	-	100/150	1~400	7	0.01	
TTA-C4(G)-WA-{20/30/40/50}□-{15/25/35/45}□	X-axis	24 or equiv.	200	600	-	-
			300	700	-	-
			400~500	800	-	-
	Y-axis	24 or equiv.	150	540	-	-
			250	640	-	-
			350~450	800	-	-
Z-axis	12	100/150	1~400	6	-	
R-axis	-	18: ±180°, 36L: ±360°	1,000deg./s	-	0.01	

Options * Please check the Options reference pages to confirm each option.

Name	Option Code	Reference Page
Additional pillar for 20-15 and 20-20 types *1	AP	See P.50
Brake (Standard equipment)	B	See P.50
Z-axis cover included	CO	See P.50
Foot bracket included specification (4 pcs) X-axis stroke 20/30	FT4	See P.50
Foot bracket included specification (6 pcs) X-axis stroke 40/50	FT6	See P.50
Y-axis mounting position height 50mm up	H1	See P.51
Y-axis mounting position height 100mm up	H2	See P.51
Motor side-mounted to the right	MR	See P.51
Non-motor end specification	NM	See P.51
Detachable operation console	OS	See P.52
Individual stroke side slot installation specification	SLT	See P.51
Side slot 180mm installation specification X-axis stroke 20/30	SLTO	See P.51
Side slot 180mm installation specification X-axis stroke 40/50	SLTO	See P.51
Additional switch	*	See P.52

Expansion I/O Slot

Name	Option Code
Expansion PIO board (NPN spec.)	NP
DeviceNet connection board	DV
CC-Link connection board	CC
PROFIBUS-DP connection board	PR
EtherNet/IP connection board	EP
EtherCAT connection board	EC
IA Net connection board	IA
RS232C connection board	SE1
RS485 connection board	SE2

* The option code for the additional switch(es) depends on the items selected by the customer. Please refer to P.52 for more information.
*1 Additional pillar for 20-15/20-20 types (AP) can only be selected for the stepper motor specification.
AC servo motor specification is equipped with a support pillar as standard.

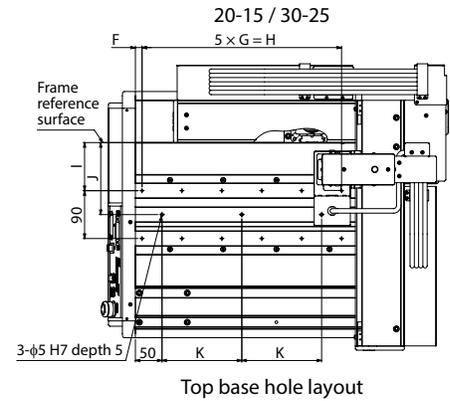
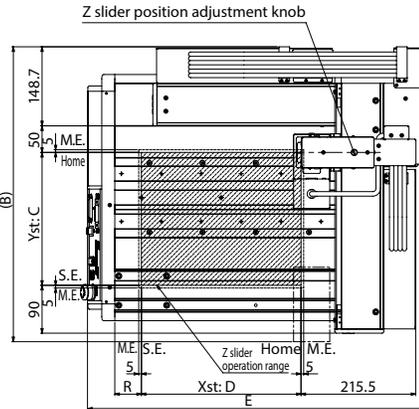
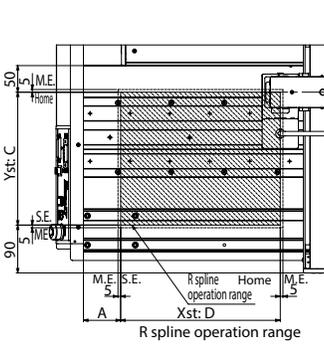
Dimensions

CAD drawings can be downloaded from our website.
www.intelligentactuator.com

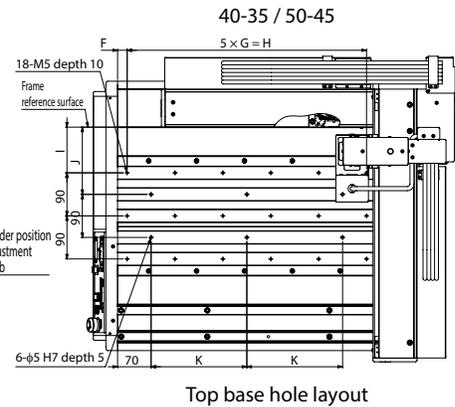
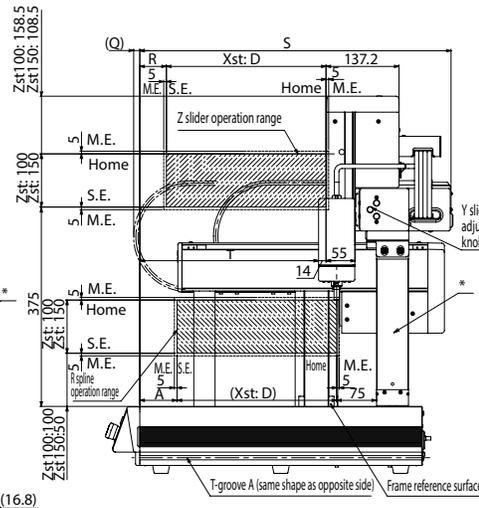
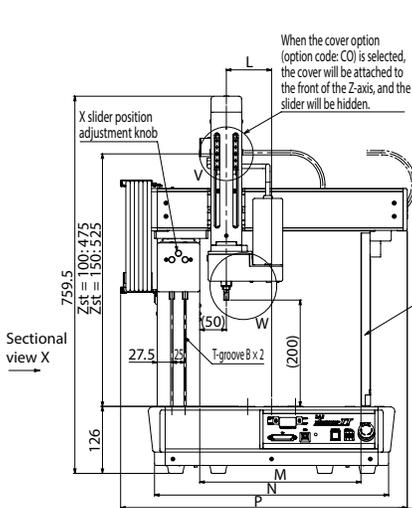


*When the slider is returning to its home position, please be careful of interference from surrounding objects, as it will travel until it reaches the M.E.

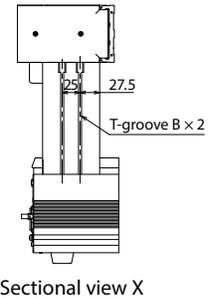
SE: Stroke end, ME: Mechanical end



Top base hole layout

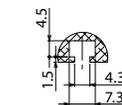
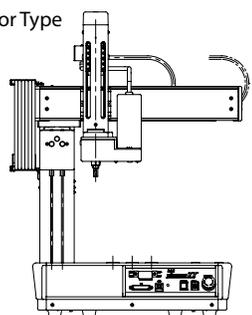


Top base hole layout

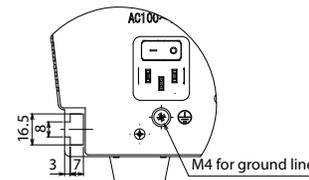


Sectional view X

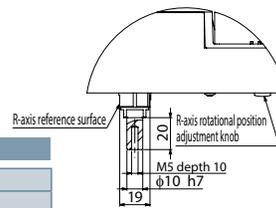
Stepper Motor Type 20-15 size



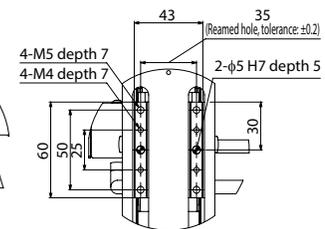
T-groove B shape



T-groove A shape



Detail view of W (R spline tip details)



Detail view of V (Z-axis slider details)

Actuator Specifications

Item	Description	
	AC Servo Motor	Stepper Motor
Drive system	Ball screw (X, Y-axis: φ12mm, Z-axis: φ10mm, rolled C5 or equiv.) Low lead Z-axis: 1:1.4 speed reduction with timing belt High lead X, Y, Z-axis: 1:1.2 speed reduction with timing belt	Ball screw (X, Y-axis: φ12mm, Z-axis: φ10mm, rolled C10) X, Y-axis: 1.5:1 speed increase with timing belt
Positioning repeatability (Note 2)	±0.005mm, R-axis: ±0.008°	±0.01mm, R-axis: ±0.01°
Lost motion	Low lead X, Y-axis: 0.025mm or less Z-axis: 0.02mm or less, R-axis: 0.06° or less High lead X, Y-axis: 0.04mm or less Z-axis: 0.02mm or less, R-axis: 0.06° or less	X, Y, Z-axis: 0.05mm or less R-axis: 0.06° or less
Dynamic allowable moment (Note 3)	X-axis: Ma: 14.9N·m Mb: 14.9N·m Mc: 44.3N·m Y-axis: Ma: 14.9N·m Mb: 14.9N·m Mc: 44.3N·m ZR-axis: Ma: 11.5N·m Mb: 11.5N·m Mc: 24.3N·m *1	
Ambient temp./humidity	0~40°C, 85% RH or less (Non-condensing)	
Max. weight on table	20-15: 40kg, 30-25: 60kg, 40-35: 80kg, 50-45: 100kg	
Unit weight	20-15: 31.3kg 30-25: 39.3kg 40-35: 46.3kg 50-45: 53.3kg	20-15: 36.3kg 30-25: 41.3kg 40-35: 48.3kg 50-45: 56.3kg

* Reference for overhang load length / R-axis: r=100mm or less

*1 Ma and Mb for ZR-axis are the total of those for the Z-axis and R-axis. Mc is the value of the Z-axis only.

	20-15	30-25	40-35	50-45
A	70	70	90	90
B	455.8	555.8	655.8	755.8
C	150	250	350	450
D	200	300	400	500
E	534.8	634.8	754.8	854.8
F	25	12.5	20	7.5
G	50	75	100	125
H	250	375	500	625
I	40.5	90.5	95.5	145.5
J	85.5	135.5	140.5	190.5
K	100	150	200	250
L	35	85	90	140
M	203	303	403	503
N	340	440	540	640
P	439.7	539.7	639.7	739.7
Q	11.5	11.5	17	17
R	50	50	70	70
S	485	585	705	805

Tabletop Robot Series PIO Signal Chart

PIO Signal Chart

Standard Pio Connector Pin Layout

Pin No.	Category	Assignment	Pin No.	Category	Assignment
1A	24V*	P24	1B	Output	OUT0
2A	24V*	P24	2B		OUT1
3A	-	-	3B		OUT2
4A	-	-	4B		OUT3
5A	Input	IN0	5B		OUT4
6A		IN1	6B		OUT5
7A		IN2	7B		OUT6
8A		IN3	8B		OUT7
9A		IN4	9B		OUT8
10A		IN5	10B		OUT9
11A		IN6	11B		OUT10
12A		IN7	12B		OUT11
13A		IN8	13B		OUT12
14A		IN9	14B		OUT13
15A		IN10	15B		OUT14
16A		IN11	16B		OUT15
17A		IN12	17B	-	-
18A		IN13	18B	-	-
19A	IN14	19B	0V*	N	
20A	IN15	20B	0V*	N	

* When the internal/external I/O power switch is off, the I/O power supply ([24V][0V]) is externally supplied while when it's on, the power is supplied internally from the TTA.

* When the internal/external I/O power switch is on, do not externally supply the I/O power ([24V][0V]).

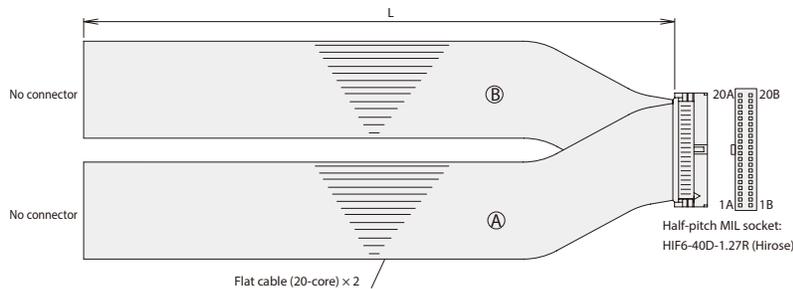
Expansion Pio Connector Pin Layout

Pin No.	Category	Assignment	Pin No.	Category	Assignment
1A	24V*	P24	1B	Output	OUT0
2A	24V*	P24	2B		OUT1
3A	-	-	3B		OUT2
4A	-	-	4B		OUT3
5A	Input	IN0	5B		OUT4
6A		IN1	6B		OUT5
7A		IN2	7B		OUT6
8A		IN3	8B		OUT7
9A		IN4	9B		OUT8
10A		IN5	10B		OUT9
11A		IN6	11B		OUT10
12A		IN7	12B		OUT11
13A		IN8	13B		OUT12
14A		IN9	14B		OUT13
15A		IN10	15B		OUT14
16A		IN11	16B		OUT15
17A		IN12	17B	-	-
18A		IN13	18B	-	-
19A	IN14	19B	0V*	N	
20A	IN15	20B	0V*	N	

* The internal/external I/O power switch does not apply to the expansion I/O (only to the standard I/O). The expansion I/O always requires the external I/O power supply ([24V][0V]).

I/O Cable (CB-PAC-PIO□□□)

* Please indicate the cable length (L) in □□□, maximum 10m, e.g.) 080 = 8m



HIF6-40D-1.27R

No.	Signal name	Cable color	Wiring	No.	Signal name	Cable color	Wiring
1A	24V	Brown-1	Flat Cable (Crimped)	18	OUT0	Brown-3	Flat Cable (Crimped) AWG28
2A	24V	Red-1		28	OUT1	Red-3	
3A	-	Orange-1		38	OUT2	Orange-3	
4A	-	Yellow-1		48	OUT3	Yellow-3	
5A	IN0	Green-1		58	OUT4	Green-3	
6A	IN1	Blue-1		68	OUT5	Blue-3	
7A	IN2	Purple-1		78	OUT6	Purple-3	
8A	IN3	Gray-1		88	OUT7	Gray-3	
9A	IN4	White-1		98	OUT8	White-3	
10A	IN5	Black-1		108	OUT9	Black-3	
11A	IN6	Brown-2		118	OUT10	Brown-4	
12A	IN7	Red-2		128	OUT11	Red-4	
13A	IN8	Orange-2		138	OUT12	Orange-4	
14A	IN9	Yellow-2		148	OUT13	Yellow-4	
15A	IN10	Green-2		158	OUT14	Green-4	
16A	IN11	Blue-2		168	OUT15	Blue-4	
17A	IN12	Purple-2		178	-	Purple-4	
18A	IN13	Gray-2		188	-	Gray-4	
19A	IN14	White-2		198	0V	White-4	
20A	IN15	Black-2		208	0V	Black-4	

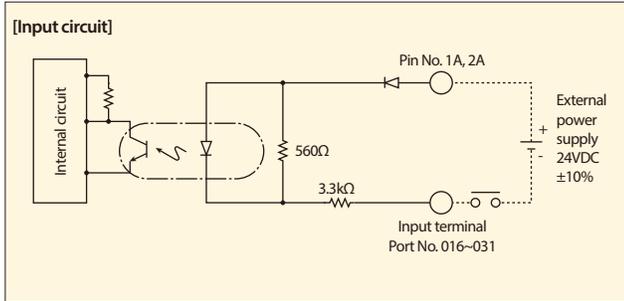
I/O Wiring Diagrams

Standard PIO

Input External input specification (NPN specification)

Item	Specification
Input voltage	24VDC +10%
Input current	7mA, 1 circuit
ON/OFF voltage	ON voltage: 16.0VDC min. OFF voltage: 5.0VDC max.
Insulation method	Photocoupler isolation

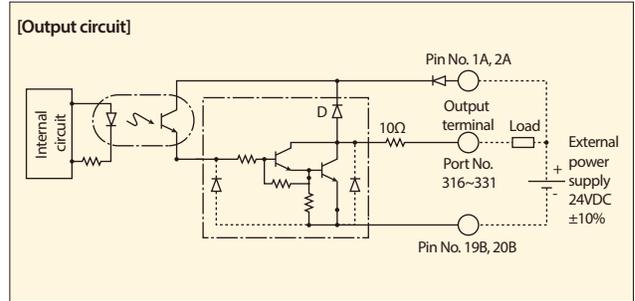
- * The circuit diagram below shows external power input (I/O power supply output is off).
- * The port numbers in the circuit diagram below are the default port numbers at time of shipping.
- * The allowable leak current when input is off is 1mA or less.



Output External output specification (NPN specification)

Item	Specification
Load voltage	24VDC
Max. load current	100mA/1 contact, 400mA/8 ports. (Note)
Leak current	0.1m max. 1 contact
Insulation method	Photocoupler isolation

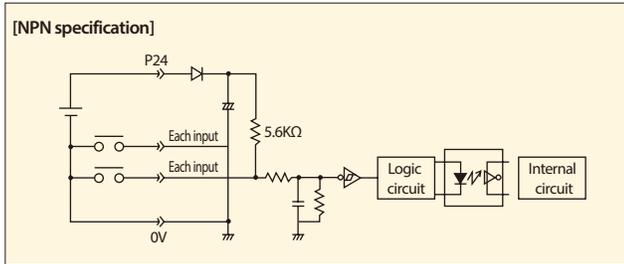
- * This circuit diagram shows external power input (I/O power supply output is off).
- * The port numbers in the circuit diagram below are the default port numbers at time of shipping.
- Note: The total load current from standard I/O number 316 onwards is 400mA per 8 points. (100mA maximum per 1 point)



Expansion PIO

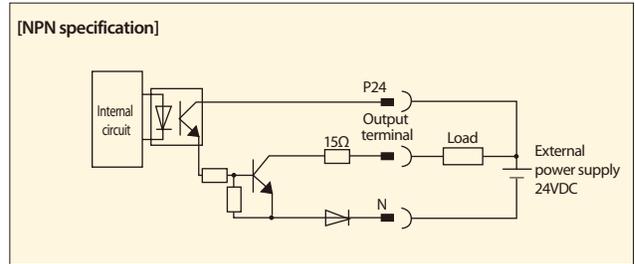
Input External input specification

Item	Specification
No. of input	16 points
Input voltage	24VDC +10%
Input current	4mA, 1 circuit
ON/OFF voltage	ON voltage: 18VDC min. (3.5mA) OFF voltage: 6VDC max. (1mA)
Insulation method	Photocoupler isolation



Output External output specification

Item	Specification
No. of output	16 points
Rated load voltage	24VDC
Max. current	50mA, 1 circuit
Insulation method	Photocoupler isolation



Tabletop Robot Series Controller Specification

Controller Specification

Item			
Motor type		Ac full digital servo motor, stepper motor (servo control)	
Compatible encoder		Battery-less absolute encoder	
Data recording device		Flash ROM/FRAM	
Number of program steps		9,999	
Number of positions		30,000	
Number of programs		255	
Number of multi-tasks		16	
Operation mode	Serial communication	○	
	Program	○	
	Positioner	×	
	Pulse train	×	
SIO interface	Communication method		RS232
	Communication speed		9.6, 19.2, 38.4, 57.6, 76.8, 115.2kpps
	Hot swapping	TP port	×
		USB	○
Standard I/O interface	Input specification	Number of input	16 points
		Input voltage	24VDC±10%
		Input current	7mA/1 circuit
		ON voltage	16VDC min.
		OFF voltage	5VDC max.
		Leak current	Allowable leak current: 1mA max.
	Insulation method		Photocoupler isolation
	Output specification	Number of output	16 points
		Load voltage	24VDC±10%
		Max. current	100mA/1 point, 400mA/8 points (Note 1)
		Saturation voltage	3V max.
		Leak current	0.1mA max.
Insulation method		Photocoupler isolation	
Applicable expansion I/O interface		Expansion PIO NPN specification (16IN/16OUT)	
		CC-Link (remote device)	
		DeviceNet	
		PROFIBUS-DP	
		EtherNet/IP	
		EtherCAT	
		IA Net	
		RS232C	
RS485			
Brake output voltage		24VDC±10%	
Connectable break power		5W max.	
Calendar/clock function	Retention time	Approx. 10 days	
	Charging time	Approx. 100 hours	
Protection functionality		Overcurrent, fan speed drop monitoring, etc.	
Power supply capacity		100V: 2.9A, 200V: 1.2A	

(Note 1): The total load current from standard I/O No. 316 onwards is 400mA per 8 points. (100mA maximum per 1 point)

Tabletop Robot Series Options

Additional pillar for 20-15 and 20-20 types

Option code **AP**

Description This option can change a cantilever type to a gate type.

Brake (Standard equipment)

Option code **B**

Description When used vertically, this works as a holding mechanism that prevents the Z-axis slider from falling and damaging any attached tooling when the power or servo is turned off.

With cover (Dedicated for 4-axis specification)

Option code **CO**

Description Equips the 4-axis TTA with a slider cover for when the z-axis slider is not in use.

Foot bracket included specification (4 pcs)

Option code **FT4**

Description For X-axis stroke of 20/30

Foot bracket included specification (6 pcs)

Option code **FT6**

Description For X-axis stroke of 40/50

ZR-axis position change option (TTA-A type only)

Option code **FZ**

Description Moves the ZR-axis mounting position 64.5mm closer to the front than standard.

	Standard	Standard +64.5mm to the front
ZR-axis w/ adjustable mounting position	-	FZ

ZR-axis with adjustable mounting position

Standard position: 55.5mm

FZ (64.5mm closer to front than standard): 120mm

Y-axis adjustable mounting position (TTA-A type only)

Option code **F1 / F2**

Description Moves the Y-axis mounting position 90mm (F1) or 180mm (F2) closer to the front than standard.

	Standard	Standard +90mm to the front	Standard +180mm to the front
Y-axis w/ adjustable mounting position	-	F1	F2

Y-axis with adjustable mounting position (TTA-A type only)

Standard position

F1 (90mm closer to front than standard): 90mm

F2 (180mm closer to front than standard): 180mm

* When both changing the Y-axis height and moving the Y-axis forward or backward, please list the option codes alphabetically in the model number. (E.g. AP-F1-FT-H2-OS)

Tabletop Robot Series Options

Y-axis adjustable height mounting position

Option code H1 / H2

Description Moves the Y-axis mounting position 50mm (H1) or 100mm (H2) higher than the standard.

	Standard	Standard + 50mm higher	Standard +100mm higher
Y-axis adjustable height mounting position	-	H1	H2

Y-axis adjustable height mounting position

(Standard) H1 (Standard +50mm) H2 (Standard +100mm)

* When both changing the Y-axis height and moving the Y-axis forward or backward, please list the option codes alphabetically in the model number. (E.g. AP-F1-FT-H2-OS)

Side-mounted motor direction

Option code ML / MR

Description This option allows you to specify the direction of the side-mounted motor R-axis when selecting TTA-A4(G). ML specifies motor mounting left, and MR specifies motor mounting right, when viewed from the motor side of the actuator. Be sure to enter one of the option codes when specifying the model. * TTA-C4(G) is only available as MR.

Non-motor end specification

Option code NM

Description The normal home position is set to the motor side, but this is the option to set the home position on the other side in order to accommodate variations in equipment layout, etc.

Installation side plate

Option code PTH (with holes) / PTN (without holes)

Description Resized to accommodate each Y-axis mounting position; standard position, F1, and F2 types.
* TTA-A type only

Side slot 180mm installation specification

Option code SLT0

Description Select to choose slot specification if FT4 or FT6 has been selected.
Types with a 20/30 X-axis stroke can have two 180mm side slots, while 40/50 types can have four.

Individual stroke side slot installation specification

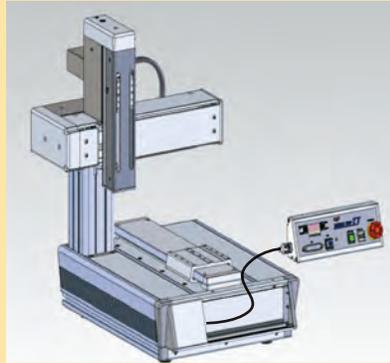
Option code SLT

Description Side slot specification. Slot length varies depending on the TTA body size.
*The FT4 and FT6 options are not compatible with this option.

Detachable operation console

Option code **OS**

Description Removable controller section for handheld operation.
(Cable length: 0.9m)



Additional switch

Option code **Refer to below** (differs depending on customer's selections)

Description Additional switches can be added to the controller section, depending on the customer's application. (Max. 4)
Internal input (001, 005, 006, 015) switches are assigned and can be used as external inputs.
For the 20-20 and 20-15 stroke types, this option is incompatible with the detachable operation console (OS) option.

Switch No.	Color	Specification
		Blank
		L : Locking type
		C : With cover
		LC : With locking cover
	B	: Blue switch color
	G	: Green switch color
	R	: Red switch color
	W	: White switch color
	Y	: Yellow switch color
1		: Switch No.1
2		: Switch No.2
3		: Switch No.3
4		: Switch No.4

E.g. To specify switch No. 1 in blue as a lockable type, enter **1BL**

*Use the following pattern when selecting switch numbers.

- ① For 1 pc: Switch No.1
- ② For 2 pcs: Switch No.1, 2
- ③ For 3 pcs: Switch No.1~3
- ④ For 4 pcs: Switch No.1~4

Tabletop Robot Series Side Slot Options

Side slots are a selectable option. These are ideal for mounting equipment to the TTA.

Side slots are available with lengths that vary depending on the stroke (Option code: SLT) and in 180mm length specifications (Option code: SLT0).

■ Side Slots by Stroke (Option Code: SLT)

Side slot lengths vary depending on the size of the TTA.

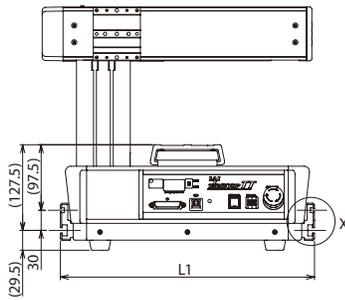
This option is not compatible with the FT4 or FT6 options.

Dimensions Chart

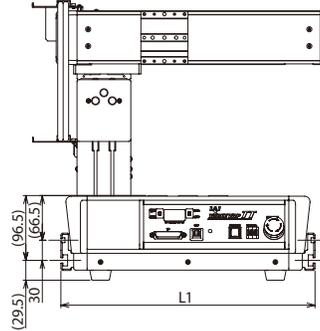
Model	L1	L2
20-20 / 20-15	378	430
30-30 / 30-25	478	530
40-40 / 40-35	578	630
50-50 / 50-45	678	730

■ Front View

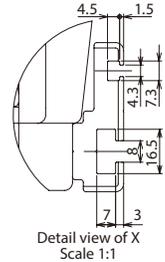
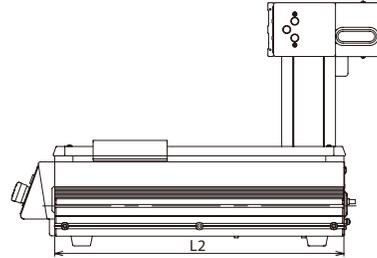
TTA-A type



TTA-C type



■ Side View (TTA-A, TTA-C)



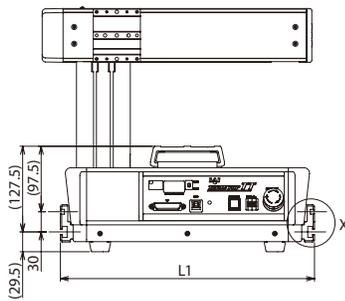
■ Side Slot 180mm Mounting Specification (Option Code: SLT0)

Select this option to add 180mm long side slots if the FT4 or FT6 option has been selected.

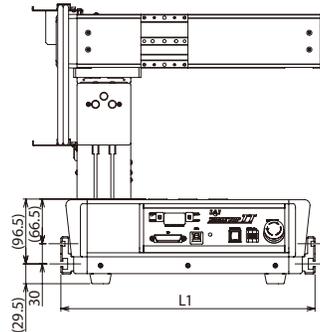
Types with a 20/30 X-axis stroke can have two 180mm side slots, while 40/50 types can have four.

■ Front View

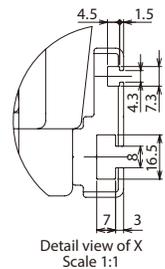
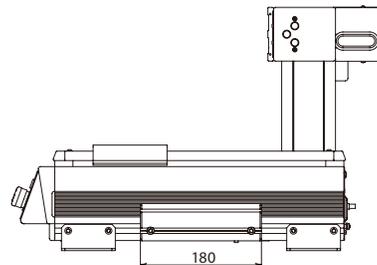
TTA-A type



TTA-C type



■ Side View (TTA-A, TTA-C)



Tabletop Robot Series Side Plate Options

Side plates are a selectable option. These are ideal for mounting equipment to the TTA.

Side plates are available in types that have pre-drilled mounting holes (Option code: PTH) and types that require the customer to drill their own mounting holes (Option code: PTN).

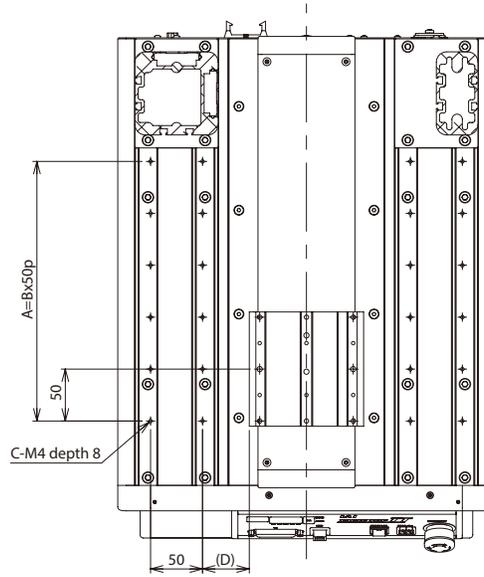
* These options are only available with the TTA-A types.

* Option code, PTN is a plate without the M4 depth 8 holes shown in the figure below.

Standard Specification Hole Positions

Dimensions Chart

Model	A	B	C	D
20-20 / 20-15	250	5	12	45
30-30 / 30-25	350	7	16	95
40-40 / 40-35	450	9	20	145
50-50 / 50-45	550	11	24	195

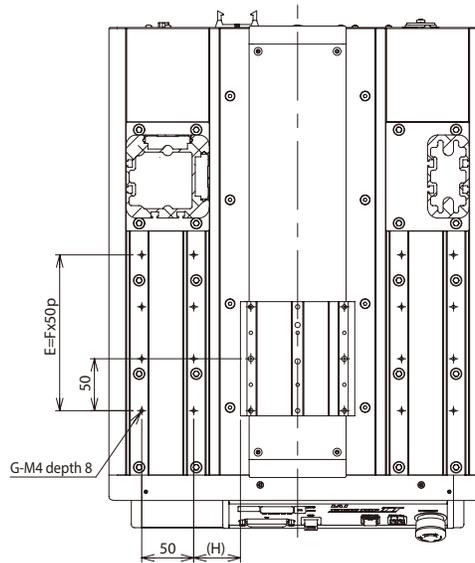


Frame Position F1 Specification Hole Positions

When option F1 is selected

Dimensions Chart

Model	E	F	G	H
20-20 / 20-15	150	3	8	45
30-30 / 30-25	250	5	12	95
40-40 / 40-35	350	7	16	145
50-50 / 50-45	450	9	20	195

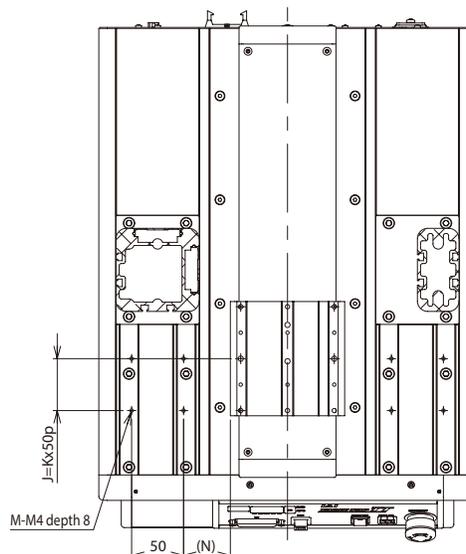


Frame Position F2 Specification Hole Positions

When option F2 is selected

Dimensions Chart

Model	J	K	M	N
20-20 / 20-15	50	1	4	45
30-30 / 30-25	150	3	8	95
40-40 / 40-35	250	5	12	145
50-50 / 50-45	350	7	16	195



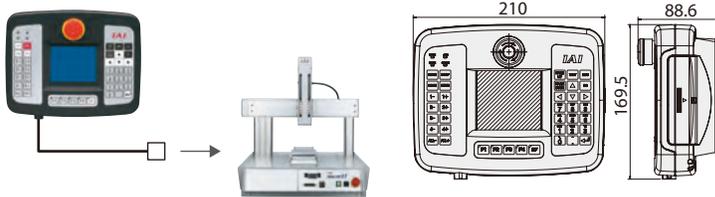
Tabletop Robot Series Options

Touch Panel Teaching

■ **Features:** A teaching device equipped with functions such as program and position input, trial operation, monitoring, etc.

■ **Model** TB-01-□

■ **Configuration**



■ **Specification**

Item	TB-01-S
Rated voltage	24VDC
Power consumption	3.6W or less (150mA or less)
Ambient operating temperature	0~50°C
Ambient operating humidity	20~ 85% RH (Non-condensing)
Environmental resistance	IP40 (initial state)
Weight	507g (TB-01-S unit only)

* AC servo motor specification is supported by Ver. 1.40 or later, stepper motor specification is supported by Ver. 1.50 or later.

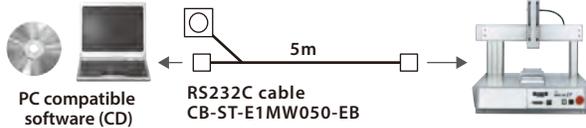
PC Compatible Software (for Windows)

■ **Features:** This is start-up support software which comes equipped with functions such as program/position input, trial operation, monitoring, etc. Improve functions requiring debugging work contributes to a reduced start-up time.

* AC servo motor specification is supported by Ver. 12.02.06.00 or later, stepper motor specification is supported by Ver. 12.03.00.00 or later.

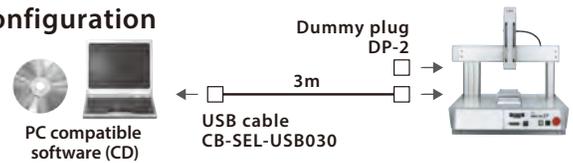
■ **Model** IA-101-X-MW
(Supplied with RS232C cable)

■ **Configuration**



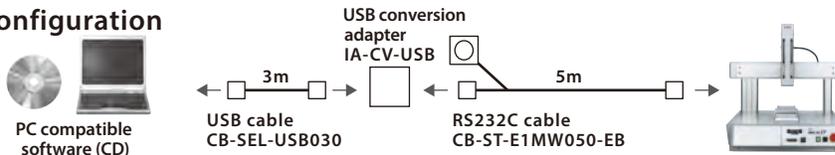
■ **Model** IA-101-TTA-USB
(Supplied with USB cable)

■ **Configuration**



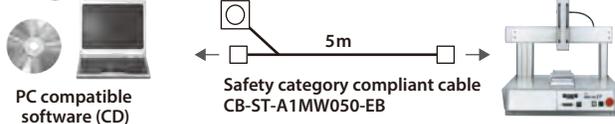
■ **Model** IA-101-X-USBMW (Supplied with USB adapter + cable)

■ **Configuration**



■ **Model** IA-101-XA-MW (Supplied with safety category 3 compliant cable)

■ **Configuration**



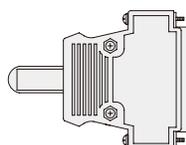
<For IA-101-TT-USB>

- It can be used with TTA by upgrading the version of the software.
- The dummy plug (DP-1) supplied with IA-101-TT-USB is not safety category compliant. [DP-2] is required for compliance.

Dummy Plug

■ **Features:** Connect this plug to the teaching connector to cut off the enable circuit when the TTA is connected to a PC using a USB cable.

■ **Model** DP-2 Supplied with the safety category specifications (TTA-A□G / TTA-C□G) and PC compatible software (IA-101-TTA-USB).



- Compatible with emergency stop and redundant enable circuit (up to Category 3).

AC Servo Motor Type Cautionary Notes

■ Tables of Payload by Acceleration/Deceleration

Check the table below to verify if both acceleration/deceleration rate and payload requirements are satisfied.

Type	Axis	Specification	Payload by Acceleration/Deceleration (kg)						
			0.1G	0.2G	0.3G	0.4G	0.5G	0.6G	0.7G
TTA-A (Gate Type)	X-axis	Low lead	30	17	10	6	3	-	-
		High lead	15	15	8	5	3	1.8	1
	Y-axis	Low lead	20	17	10	6	3	-	-
		High lead	11	11	8	5	3	1.8	1
	Z-axis	Low lead	15	12	9	-	-	-	-
		High lead	7	7	5.5	4	3	-	-
TTA-C (Cantilever Type)	X-axis	Low lead	30	17	-	-	-	-	-
		High lead	22	17	12	-	-	-	-
	Y-axis	Low lead	20	15	10	-	-	-	-
		High lead	12	12	10	-	-	-	-
	Z-axis	Low lead	15	12	9	-	-	-	-
		High lead	7	7	5.5	4	3	-	-

■ Tables of Payload by Acceleration/Deceleration

TTA-A type (gate type) and TTA-C type (cantilever type) Z-axis / ZR-axis payload differs depending on Y-axis acceleration/deceleration. For TTA-C type (cantilever type), Y-axis / Z-axis / ZR-axis payload differs depending on X-axis acceleration/deceleration.

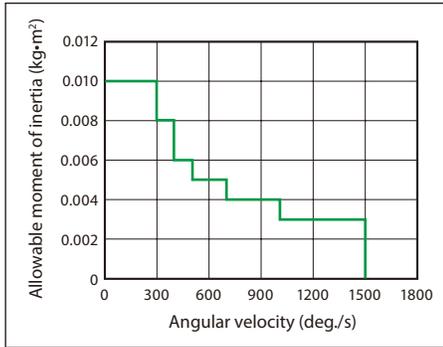
Type	Specification	Y-axis Acceleration/Deceleration and Z-axis Payload (kg)			
		0.1G	0.2G	0.3G	0.4G
TTA-A (Gate Type)	Low lead	15	13	6	2
	High lead	7	7	4	1
TTA-C (Cantilever Type)	Low lead	15	11	6	-
	High lead	7	7	6	-

Type	Specification	Y-axis Acceleration/Deceleration and ZR-axis Payload (kg)			
		0.1G	0.2G	0.3G	0.4G
TTA-A (Gate Type)	Low lead	15	11	4	-
	High lead	7	7	2	-
TTA-C (Cantilever Type)	Low lead	15	9	4	-
	High lead	7	7	4	-

Type	Specification	X-axis Acceleration/Deceleration and Y-axis Payload (kg)			
		0.1G	0.2G	0.3G	0.4G
TTA-C (Cantilever Type)	Low lead	20	7	-	-
		High lead	12	7	2
	Specification	X-axis Acceleration/Deceleration and Z-axis Payload (kg)			
		0.1G	0.2G	0.3G	0.4G
	Low lead	15	3	-	-
		High lead	7	3	-
Specification	X-axis Acceleration/Deceleration and ZR-axis Payload (kg)				
	0.1G	0.2G	0.3G	0.4G	
Low lead	15	1	-	-	
	High lead	7	1	-	-

■ Correlation Diagram of Allowable Moment of Inertia and Angular Velocity (R-axis)

R-axis



Allowable Moment of Inertia, and Angular Velocity and Angular Acceleration/Deceleration (R)

Allowable Moment of Inertia	Angular Velocity	Acceleration/Deceleration
0.010kg·m ²	300deg./s	490deg./s ²
0.008kg·m ²	400deg./s	980deg./s ²
0.006kg·m ²	500deg./s	1,960deg./s ²
0.005kg·m ²	700deg./s	4,900deg./s ²
0.004kg·m ²	1,000deg./s	9,800deg./s ²
0.003kg·m ²	1,500deg./s	14,700deg./s ²

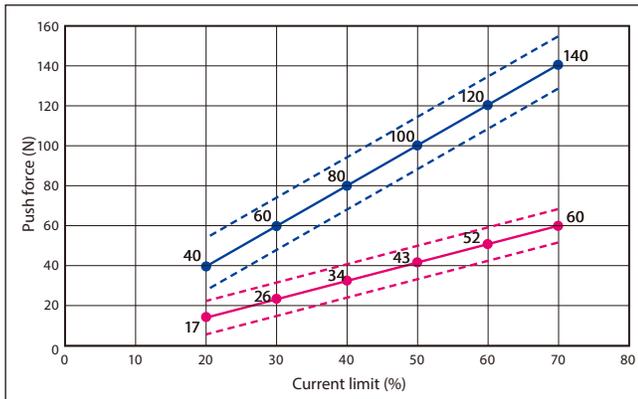
(Note) Use G to convert for configuration using PC compatible software and other teaching tools.
(1G=9,800deg./s²).

■ Correlation Diagram of Push Force and Current Limit

The push force during push-motion operation can be freely adjusted by changing the current limit of the controller (TTA-A series only).

The push forces listed below are for reference only.

Z-axis

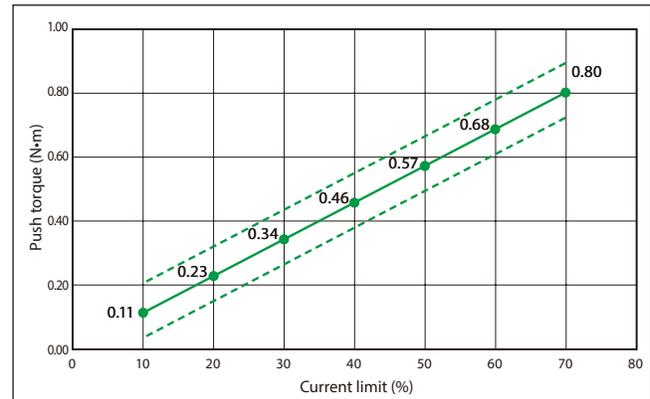


* Maximum push force has a variance of ±10% (dashed lines).

Please consult with IAI if push force control using the rotational axis (R-axis) is desired.

The graph below is for reference only.

R-axis



* Maximum push torque has a variance of ±10% (dashed lines).

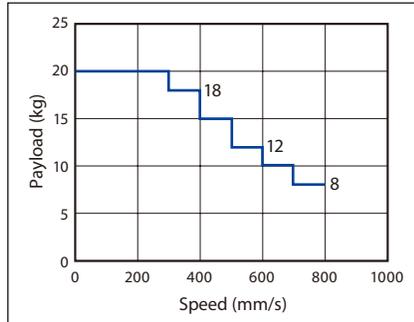
Stepper Motor Type Cautionary Notes

■ Correlation Diagrams of Payload and Speed (X/Y/Z-axis)

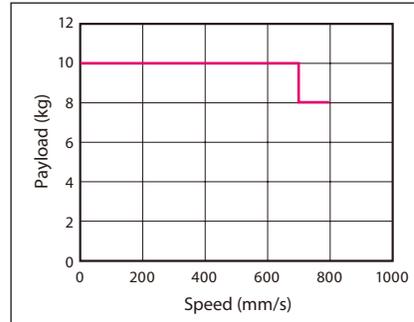
Due to the characteristics of the stepper motor, the maximum payload decreases as speed increases. Check the table below to verify that both speed and payload requirements are satisfied.

[TTA-A series]

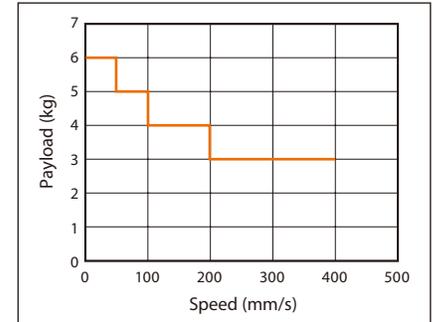
X-axis



Y-axis



Z-axis



Payload and Acceleration/Deceleration

Payload	Acceleration/Deceleration
20kg	0.2G or less
18kg	0.2G or less
15kg	0.3G or less
12kg	0.3G or less
10kg	0.4G or less
8kg	0.4G or less

· Set the acceleration/deceleration to 0.4G or less

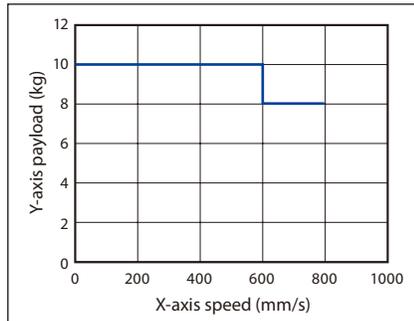
· Set the acceleration/deceleration to 0.2G or less

[TTA-C series]

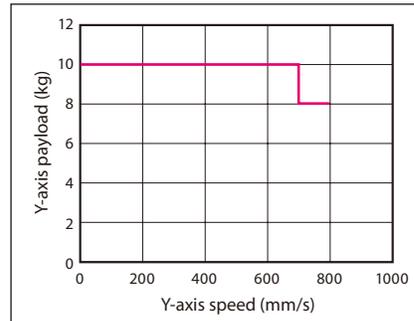
The maximum X-axis speed of the TTA-C2 varies depending on the Y-axis payload. For TTA-C3 and TTA-C4, the maximum X-axis and Y-axis speeds vary depending on the Z-axis payload.

TTA-C2

X-axis



Y-axis

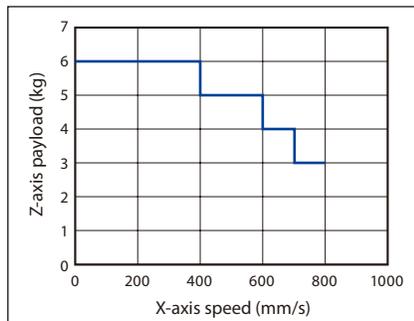


· Set the acceleration/deceleration to 0.2G or less

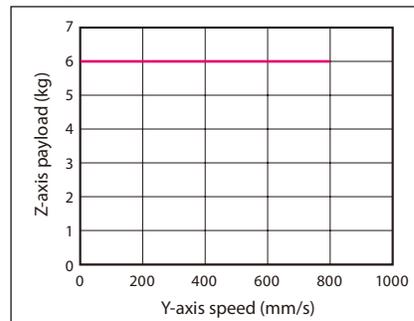
· Set the acceleration/deceleration to 0.2G or less

TTA-C3 / C4

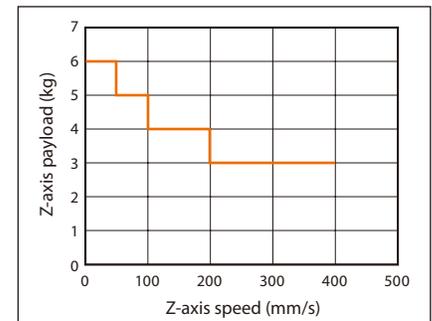
X-axis



Y-axis



Z-axis



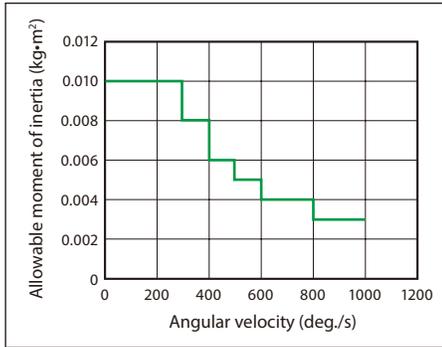
· Set the acceleration/deceleration to 0.2G or less

· Set the acceleration/deceleration to 0.2G or less

· Set the acceleration/deceleration to 0.2G or less

■ Correlation Diagram of Allowable Moment of Inertia and Angular Velocity (R-axis)

R-axis



Allowable Moment of Inertia, and Angular Velocity and Angular Acceleration/Deceleration (R)

Allowable Moment of Inertia	Angular Velocity	Acceleration/Deceleration
0.010kg·m ²	100deg./s	1,000deg./s ²
0.010kg·m ²	200deg./s	1,000deg./s ²
0.010kg·m ²	300deg./s	1,000deg./s ²
0.008kg·m ²	400deg./s	1,778deg./s ²
0.006kg·m ²	500deg./s	2,778deg./s ²
0.005kg·m ²	600deg./s	4,000deg./s ²
0.004kg·m ²	700deg./s	5,444deg./s ²
0.004kg·m ²	800deg./s	7,111deg./s ²
0.003kg·m ²	900deg./s	9,000deg./s ²
0.003kg·m ²	1,000deg./s	11,111deg./s ²

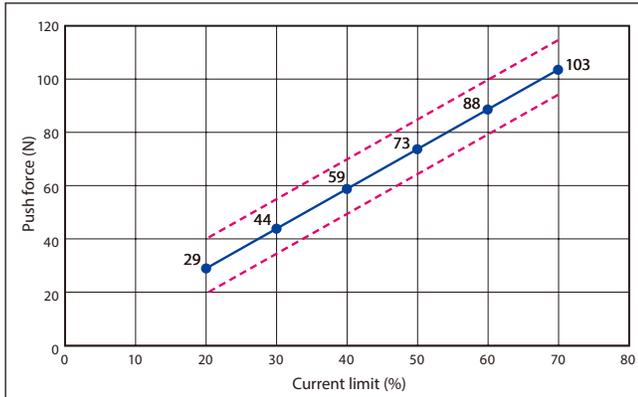
(Note) Use G to convert for configuration using PC compatible software and other teaching tools.
(1G=9,800deg./s²).

■ Correlation Diagram of Push Force and Current Limit

The push force during push-motion operation can be freely adjusted by changing the current limit of the controller (TTA-A series only).

The push forces listed below are for reference only.

Z-axis

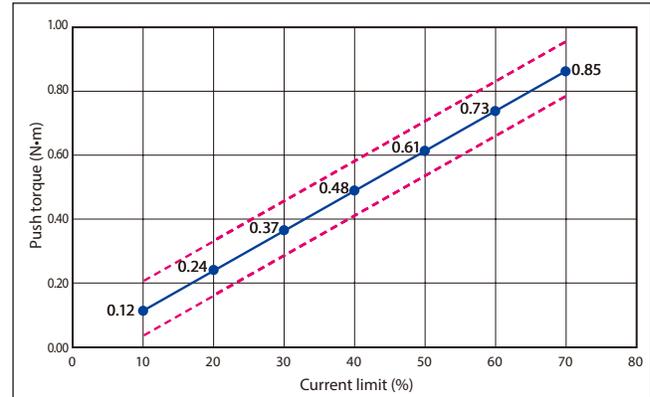


* Maximum push force has a variance of ±10% (dashed lines).

Please consult with IAI if push force control using the rotational axis (R-axis) is desired.

The graph below is for reference only.

R-axis



* Maximum push torque has a variance of ±10% (dashed lines).

Tabletop Robot Series Cautionary Notes

Notes about catalog specs

Speed

"Speed" refers to the rate of movement while the actuator is in motion. The slider accelerates from a stationary state until the designated speed is reached. Once the desired speed is reached, the slider will continue at that rate until immediately before reaching the target position (specified position), where the slider will then decelerate to a stop.

Acceleration/Deceleration

"Acceleration" refers to the rate at which the speed increases from a stationary state until the set speed is reached. "Deceleration" refers to the rate at which the speed decreases from the set speed until the slider comes to a stop. Acceleration and deceleration are set in "G" (0.3G = 2,940mm/s². For the rotational axis, 0.3G = 2,940deg./s²)

Duty Cycle

The tabletop robot with a stepper motor can be operated at a duty cycle of 100%. For AC servo motor specification, duty cycle varies depending on the operation conditions (payload, acceleration/deceleration, etc.). Please refer to the "Reference Data" of the catalog for more details.

$$\text{Duty cycle (\%)} = \frac{\text{Operating time}}{\text{Operating time} + \text{stationary time}} \times 100$$

Positioning Repeatability

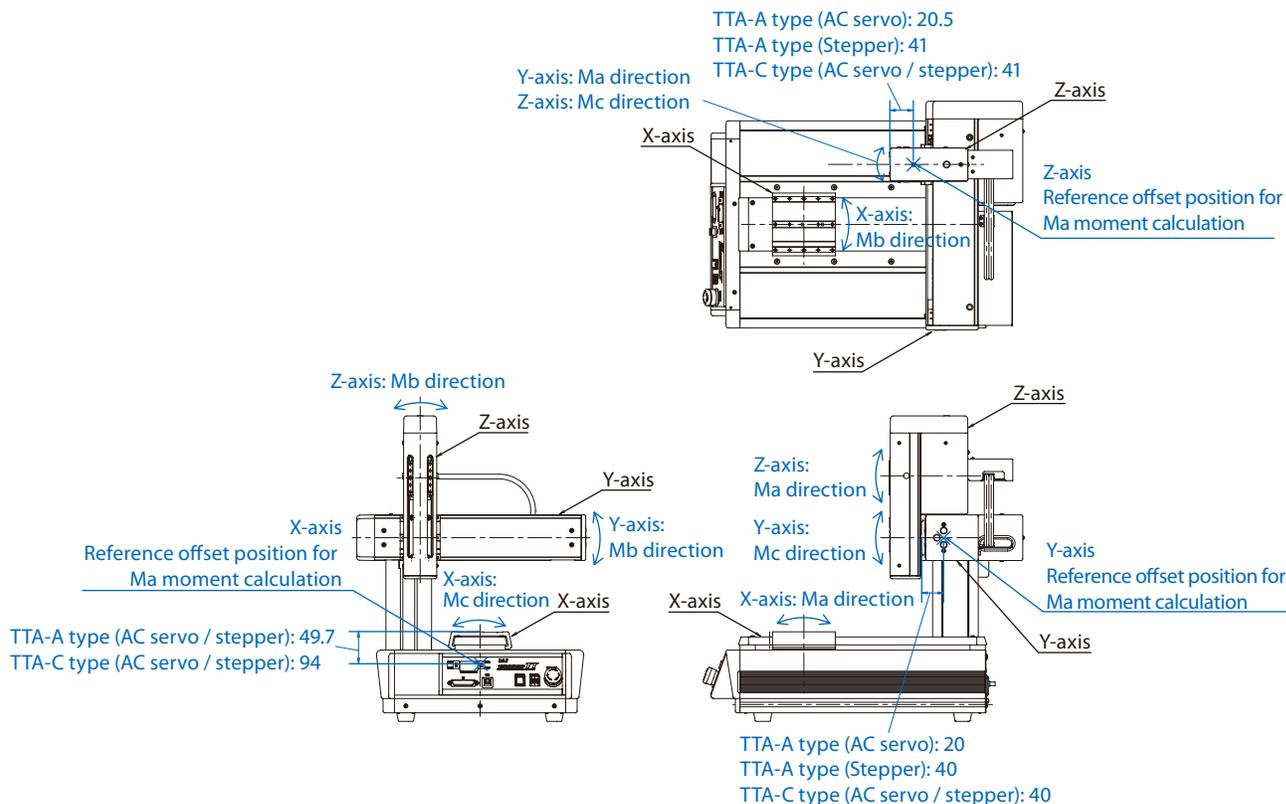
"Positioning repeatability" refers to the accuracy of repeated movements to a predetermined position. This is not the same as "absolute positioning accuracy."

Home

"Home" is located on the motor side of the actuator for standard specification and on the non-motor side for non-motor end specification. (The x-axis of the gate type is on the controller side). During home return the slider moves until it reaches the mechanical end before reversing its direction. Please take caution and prevent contact from any surrounding objects.

Dynamic Allowable Moment (Ma, Mb, Mc)

"Load moment" is the value expected for 5,000km. Please note that exceeding the moment specifications may reduce the service life of the guide. See the figures below for the moment directions and reference points.



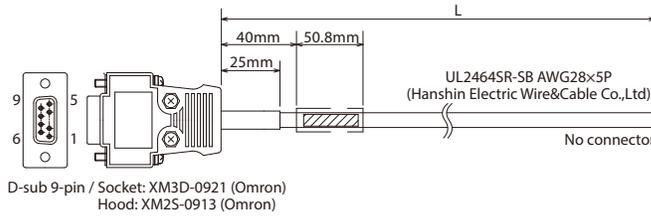
Tabletop Robot Series Options

Expansion SIO Board Connection Cables

A separate connection cable is required when an expansion SIO board (RS232C board, RS485 board) is selected.

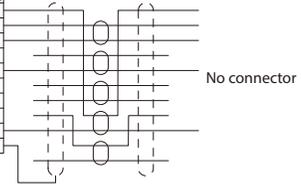
Model **CB-TTA-232** (for RS232C connection board)

* Please indicate the cable length (L) in , maximum 10m, e.g.) 030 = 3m



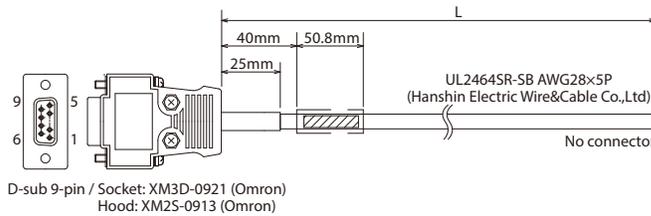
Controller side
XM3D-0921

CH	Color	Dot marks / color	Signal	No.
2	Orange	• Red	RXD2	1
1	Orange	• Black	RXD	2
1	White	• Red	TXD	3
1	-	-	NC	4
1	AWG28	Pink • Red	SG	5
1	-	-	NC	6
1	-	-	NC	7
1	-	-	NC	8
2	Yellow	• Black	TXD2	9



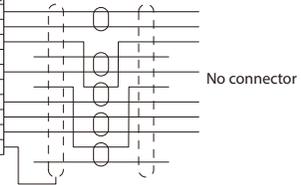
Model **CB-TTA-485** (for RS485 connection board, without termination)

* Please indicate the cable length (L) in , maximum 10m, e.g.) 030 = 3m



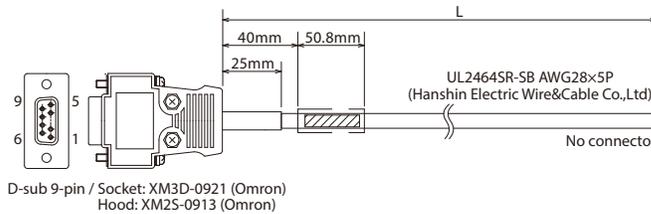
Controller side
XM3D-0921

CH	Color	Dot marks / color	Signal	No.
1	Orange	• Red	SRD1+	1
1	Orange	• Black	SRD1-	2
1	White	• Red	SRD1+	3
-	-	-	(E)	4
1	AWG28	Pink • Red	SG	5
-	-	-	(E2)	6
1	White	• Black	SRD1-	7
2	Yellow	• Red	SRD2+	8
2	Yellow	• Black	SRD2-	9



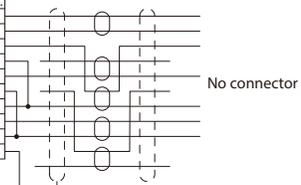
Model **CB-TTA-485** -TERM (for RS485 connection board, with termination)

* Please indicate the cable length (L) in , maximum 10m, e.g.) 030 = 3m



Controller side
XM3D-0921

CH	Color	Dot marks / color	Signal	No.
1	Orange	• Red	SRD1+	1
1	Orange	• Black	SRD1-	2
1	White	• Red	SRD1+	3
1	Black	-	E	4
1	AWG28	Pink • Red	SG	5
2	Black	-	E2	6
1	White	• Black	SRD1-	7
2	Yellow	• Red	SRD2+	8
2	Yellow	• Black	SRD2-	9



IAI America, Inc.

USA Headquarters & Western Region (Los Angeles): 2690 W. 237th Street, Torrance, CA 90505 (800) 736-1712

Midwest Branch Office (Chicago) : 110 E. State Pkwy, Schaumburg, IL 60173 (800) 944-0333

Southeast Branch Office (Atlanta): 1220 Kennestone Circle, Suite 108, Marietta, GA 30066 (678) 354-9470

www.intelligentactuator.com

JAPAN Headquarters: 577-1 Obane, Shimizu-ku, Shizuoka-shi, Shizuoka, 424-0103, JAPAN

The information contained in this product brochure may change without prior notice due to product improvements.

IAI Industrieroboter GmbH

Ober der Röth 4, D-65824 Schwalbach am Taunus, Germany

IAI (Shanghai) Co., Ltd.

Shanghai Jiahua Business Center A8-303, 808,
Hongqiao Rd., Shanghai 200030, China

IAI Robot (Thailand) Co., Ltd.

825 Phairojkijja Tower 7th Floor, Debaratana Rd.,
Bangna Nuea, Bangna, Bangkok 10260, Thailand