

RCP2-RTCB/RTCBL

ROBO Cylinder, Rotary, Large Flat Type, Actuator Width 124mm, Pulse Motor

Model Specification Items	RCP2	<input type="checkbox"/>	I	35P	<input type="checkbox"/>	<input type="checkbox"/>	<input type="checkbox"/>	<input type="checkbox"/>	<input type="checkbox"/>
	Series	Type	Encoder type	Motor type	Deceleration Ratio	Oscillation Angle	Applicable controller	Cable length	Options
	RTCB: 330-deg rotation RTCBL: Multiple rotation	I: Incremental rotation * The Simple absolute encoder is also considered type "I".	35P: Pulse motor, 35□ size	20: 1/20 deceleration ratio 30: 1/30 deceleration ratio	330: 330-degrees (RTCB only) 360: 360-degrees (RTCBL only)	P1: PCON-PL/PO/SE PSEL P3: PCON-CA PMEC/PSEP MSEP	N: None P: 1m S: 3m M: 5m X□: Custom length R□: Robot cable	NM: Non-motor end SA: Shaft adapter TA: Table adapter	

* See page Pre-47 for details on the model descriptions.



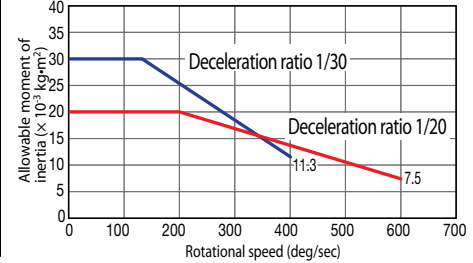
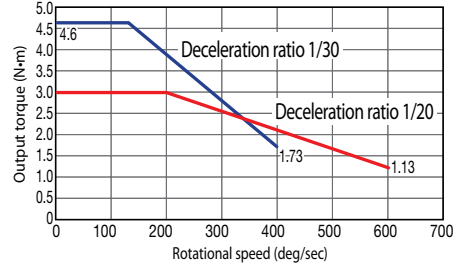
Technical References Appendix P.5



- (1) The output torque decreases as the rotational speed increases. Check the Output Torque graph on the right to see whether the speed required for your desired motion is supported.
- (2) The allowable moment of inertia of the rotated work piece varies with the rotational speed. Check the Allowable Moment of Inertia graph on the right to see if the moment of inertia required for your desired motion is within the allowable range.
- (3) The rated acceleration while moving is 0.3G.
- (4) Please note that the PMEC/PSEP controllers cannot be used when performing infinite rotation with the multiple rotation type.

Speed vs. Load Capacity

Due to the characteristics of the pulse motor, the RCP2 series' load capacity decreases at high speeds. In the table below, check if your desired speed and load capacity are supported.



Actuator Specifications

Leads and Payload

Model number	Deceleration Ratio	Max. Torque (N·m)	Allowable Movement of Inertia (kg·m ²)	Oscillation Angle (deg)
RCP2-RTCB-I-35P-20-330-①-②-③	1/20	3.0	0.02	330
RCP2-RTCB-I-35P-30-330-①-②-③	1/30	4.6	0.03	
RCP2-RTCBL-I-35P-20-360-①-②-③	1/20	3.0	0.02	360
RCP2-RTCBL-I-35P-30-360-①-②-③	1/30	4.6	0.03	

Deceleration Ratio and Max. Speed

Deceleration ratio	Stroke	330/360 (deg)
	1/20	600
1/30	400	

(Unit: degrees/s)

Code explanation ① Applicable Controller ② Cable Length ③ Options

Stroke

Type	Oscillation Angle (deg)	Standard price
RTCB	330	—
RTCBL	360	—

② Cable Length

Type	Cable symbol	Standard Price
Standard	P (1m)	—
	S (3m)	—
	M (5m)	—
Special length	X06 (6m) ~ X10 (10m)	—
	X11 (11m) ~ X15 (15m)	—
	X16 (16m) ~ X20 (20m)	—
	X21 (21m) ~ X25 (25m)	—
Robot Cable	R01 (1m) ~ R03 (3m)	—
	R04 (4m) ~ R05 (5m)	—
	R06 (6m) ~ R10 (10m)	—
	R11 (11m) ~ R15 (15m)	—
	R16 (16m) ~ R20 (20m)	—
	R21 (21m) ~ R25 (25m)	—

* See page A-59 for cables for maintenance.

③ Options


Name	Option code	See page	Standard price
Reversed-rotation	NM	→ A-52	—
Shaft adapter	SA	→ A-54	—
Table adapter	TA	→ A-56	—

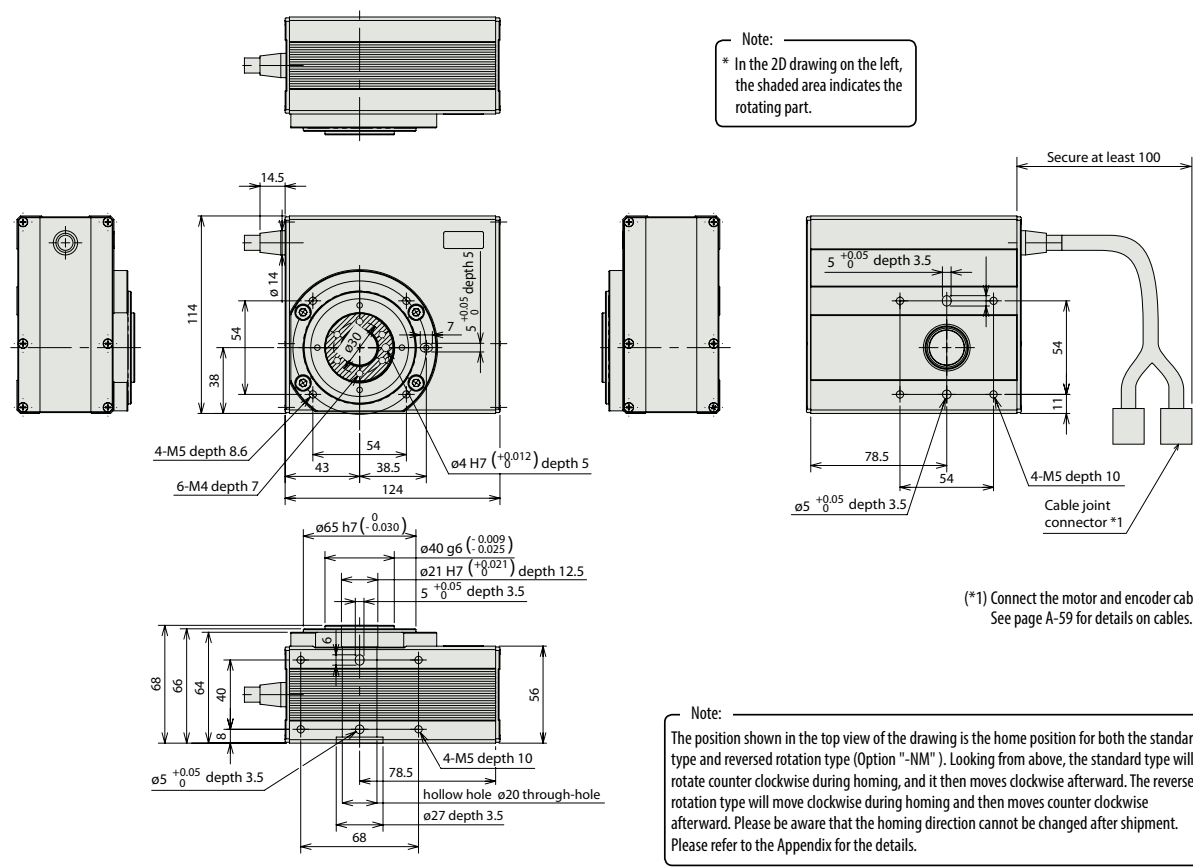
Actuator Specifications

Item	Description
Drive System	Hypoid gear
Positioning repeatability	±0.01 degrees
Homing accuracy	±0.01 degrees (RTCB) / ±0.03 (RTCBL)
Lost motion	±0.1 degrees
Allowable thrust load	200N
Allowable load moment	17.7 N·m
Weight	2.2kg
Ambient operating temperature, humidity	0 to 40°C, 85% RH or less (Non-condensing)

Dimensional Drawings

CAD drawings can be downloaded from the website. www.intelligentactuator.com

For Special Orders  Appendix P.15



Weight (kg) 2.2

① Applicable Controllers

RCP2 series actuators can be operated with the controllers indicated below. Select the type according to your intended application.

Name	External view	Model number	Features	Maximum number of positioning points	Input power	Power-supply capacity	Standard price	Reference page
Solenoid Valve Type		PMEC-C-35PI-①-2-②	Easy-to-use controller, even for beginners	3 points	DC24V	AC100V	Refer to P541	→ P537
		PSEP-C-35PI-①-2-0	Simple controller operable with the same signal as a solenoid valve			Refer to P555	→ P547	
Solenoid valve multi-axis type PIO specification		MSEP-C-③-④-①-2-0	Positioner type based on PIO control, allowing up to 8 axes to be connected	256 points		Refer to P572	→ P563	
Solenoid valve multi-axis type Network specification		MSEP-C-③-④-④-0-0	Field network-ready positioner type, allowing up to 8 axes to be connected					
Positioner type High-output specification		PCON-CA-35PI-①-2-0	Equipped with a high-output driver Positioner type based on PIO control			512 points	Refer to P618	→ P607
Pulse-train type High-output specification		PCON-CA-35PI-PL□-2-0	Equipped with a high-output driver Pulse-train input type	(—)				
Field network type High-output specification		PCON-CA-35PI-④-0-0	Equipped with a high-output driver Supporting 7 major field networks	768 points				
Pulse Train Input Type (Differential Line Driver)		PCON-PL-35PI-①-2-0	Pulse train input type with differential line driver support	(—)		Refer to P628	→ P623	
Pulse Train Input Type (Open Collector)		PCON-PO-35PI-①-2-0	Pulse train input type with open collector support					
Serial Communication Type		PCON-SE-35PI-N-0-0	Dedicated Serial Communication	64 points	Refer to P671		→ P665	
Program Control Type		PSEL-CS-1-35PI-①-2-0	Programmed operation is possible. Can operate up to 2 axes	1,500 points	Refer to P671	→ P665		

* This is for the single-axis PSEL. * ① indicates I/O type (NP/PN). * ② indicates power supply voltage (1: 100V / 2: 100~240V). * ③ indicates number of axes (1 to 8). * ④ indicates field network specification symbol. * □ indicates N (NPN specification) or P (PNP specification) symbol.