

# RCA-SA6R

ROBO Cylinder, Slider Type, Actuator Width 58mm, 24V Servo Motor, Side-mounted Motor

<b>Model Specification Items</b>	<b>RCA</b> — <b>SA6R</b> — <input type="checkbox"/> — <b>30</b> — <input type="checkbox"/> — <input type="checkbox"/> — <input type="checkbox"/> — <input type="checkbox"/> — <input type="checkbox"/>
Series — Type — Encoder type — Motor type — Lead — Stroke — Applicable controller — Cable length — Options	
I: Incremental A: Absolute * Absolute encoder models can only use ASEL. When the actuator is used with the simple absolute encoder, the model is considered an incremental model.	30: 30W Servo motor 12: 12mm 6: 6mm 3: 3mm 50: 50mm 600: 600mm (50mm pitch increments)
	A1: ACON ASEL A3: AMEC ASEP MSEP
	N: None P: 1m S: 3m M: 5m X <input type="checkbox"/> : Custom length R <input type="checkbox"/> : Robot cable
	See Options below. *Be sure to specify which side the motor is to be mounted (ML/MR).

\* See page Pre-47 for details on the model descriptions.



Power-saving



Pictured: Left-mounted motor model (ML).

Technical References Appendix P.5



- When the stroke increases, the maximum will drop to prevent the ball screw from reaching the critical rotational speed. Use the actuator specification table below to check the maximum speed at the stroke you desire.
- The load capacity is based on operation at an acceleration of 0.3G (0.2G for the 3mm-lead model.) These values are the upper limits for the acceleration.
- See page A-71 for details on push motion.

\*This product is equipped with a position adjusting screw at the A area shown above. (See dimensional drawing on the page to the right.)

## Actuator Specifications

### Leads and Payloads

Model number	Motor output (W)	Lead (mm)	Max. Load Capacity		Rated thrust (N)	Stroke (mm)
			Horizontal (kg)	Vertical (kg)		
RCA-SA6R-①-30-12-②-③-④-⑤	30	12	6	1.5	24.2	50~600 (every 50mm)
RCA-SA6R-①-30-6-②-③-④-⑤		6	12	3	48.4	
RCA-SA6R-①-30-3-②-③-④-⑤		3	18	6	96.8	

### Stroke and Maximum Speed

Stroke Lead	50~450 (every 50mm)	500 (mm)	550 (mm)	600 (mm)
	12	800	760	640
6	400	380	320	270
3	200	190	160	135

Code explanation ① Encoder ② Stroke ③ Applicable Controller ④ Cable length ⑤ Options \*See page A-71 for details on push motion. (Unit: mm/s)

### ① Encoder type/② Stroke

② Stroke (mm)	Standard price	
	① Encoder Type	
	Incremental	Absolute
50	I	A
100	I	A
150	I	A
200	I	A
250	I	A
300	I	A
350	I	A
400	I	A
450	I	A
500	I	A
550	I	A
600	I	A

### ③ Cable Length

Type	Cable symbol	Standard Price
Standard	P (1m)	—
	S (3m)	—
	M (5m)	—
Special length	X06 (6m) ~ X10 (10m)	—
	X11 (11m) ~ X15 (15m)	—
	X16 (16m) ~ X20 (20m)	—
	R01 (1m) ~ R03 (3m)	—
Robot Cable	R04 (4m) ~ R05 (5m)	—
	R06 (6m) ~ R10 (10m)	—
	R11 (11m) ~ R15 (15m)	—
	R16 (16m) ~ R20 (20m)	—

\* See page A-59 for cables for maintenance.

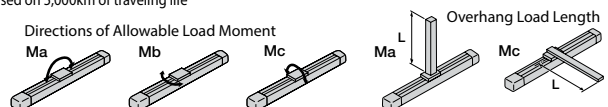
### ④ Options

Name	Option code	See page	Standard price
Brake	B	→ A-42	—
Home sensor	HS	→ A-50	—
Power-saving	LA	→ A-52	—
Non-motor end specification	NM	→ A-52	—
Left-mounted motor (standard)	ML	→ A-52	—
Right-mounted motor	MR	→ A-52	—
Slider roller specification	SR	→ A-55	—

### Actuator Specifications

Item	Description
Drive System	Ball screw, $\phi$ 10mm, rolled C10
Positioning repeatability	$\pm$ 0.02mm
Lost Motion	0.1mm or less
Base	Material: Aluminum, white alumite treated
Allowable static moment	Ma: 38.3 N-m, Mb: 54.7 N-m, Mc: 81.0 N-m
Allowable dynamic moment (*)	Ma: 8.9 N-m, Mb: 12.7 N-m, Mc: 18.6 N-m
Allowable overhang	220mm or less in Ma, Mb and Mc directions
Ambient operating temperature, humidity	0 to 40°C, 85% RH or less (Non-condensing)

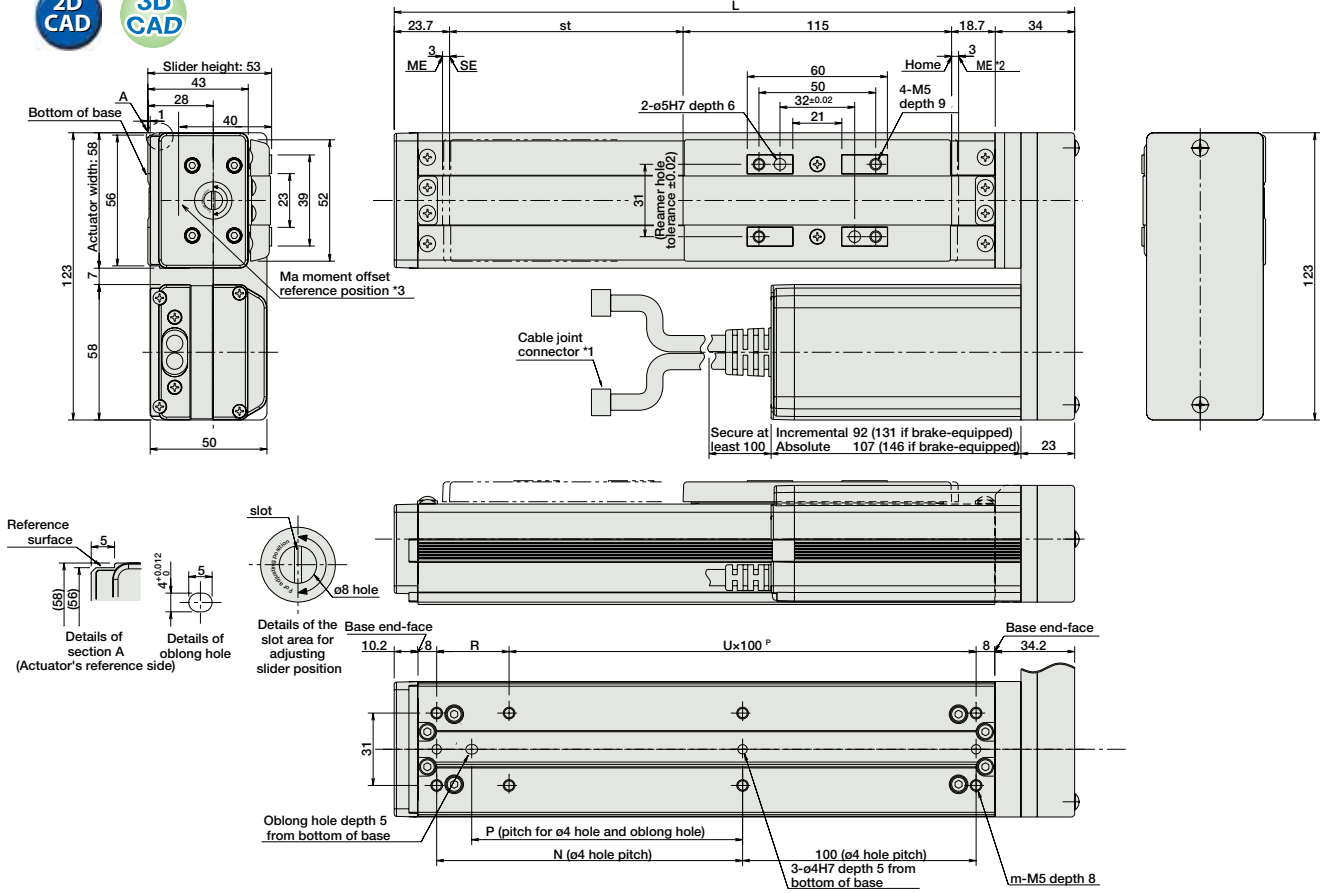
(\*) Based on 5,000km of traveling life



Dimensional Drawings

CAD drawings can be downloaded from the website. [www.intelligentactuator.com](http://www.intelligentactuator.com)

For Special Orders Appendix P.15



■ Dimensions and Mass by Stroke

\* Brake-equipped models are heavier by 0.3kg.

Stroke	50	100	150	200	250	300	350	400	450	500	550	600
L	241.4	291.4	341.4	391.4	441.4	491.4	541.4	591.4	641.4	691.4	741.4	791.4
N	81	131	181	231	281	331	381	431	481	531	581	631
P	66	116	166	216	266	316	366	416	466	516	566	616
R	81	31	81	31	81	31	81	31	81	31	81	31
U	1	2	2	3	3	4	4	5	5	6	6	7
m	6	8	8	10	10	12	12	14	14	16	16	18
Mass (kg)	1.7	1.9	2.1	2.3	2.5	2.7	2.9	3.1	3.3	3.5	3.7	3.9

- (\*1) Connect the motor and encoder cables here. See page A-59 for details on cables.
- (\*2) After homing, the slider moves to the ME, therefore, please watch for any interference with surrounding objects.  
ME: Mechanical end  
SE: Stroke end
- (\*3) Reference position for calculating the Ma moment

③ Applicable Controllers

RCA series actuators can be operated with the controllers indicated below. Select the type according to your intended application.

Name	External view	Model number	Features	Maximum number of positioning points	Input power	Power-supply capacity	Standard price	Reference page
Solenoid Valve Type		AMEC-C-30I(II)-(III)-2-1	Easy-to-use controller, even for beginners	3 points	AC100V	2.4A rated	—	→ P537
		ASEP-C-30I(II)-(III)-2-0	Simple controller operable with the same signal as a solenoid valve					→ P547
Solenoid valve multi-axis type PIO specification		MSEP-C-(IV)-(V)-2-0	Positioner type based on PIO control, allowing up to 8 axes to be connected	256 points	DC24V	(Standard) 1.3A rated 4.4A max. (Power-saving) 1.3A rated 2.2A max.	—	→ P563
Solenoid valve multi-axis type Network specification		MSEP-C-(IV)-(V)-0-0	Field network-ready positioner type, allowing up to 8 axes to be connected					
Positioner type		ACON-C-30I(II)-(III)-2-0	Positioning is possible for up to 512 points	512 points	DC24V	(Standard) 1.3A rated 4.4A max. (Power-saving) 1.3A rated 2.2A max.	—	→ P631
Safety-Compliant Positioner Type		ACON-CG-30I(II)-(III)-2-0						
Pulse Train Input Type (Differential Line Driver)		ACON-PL-30I(II)-(III)-2-0	Pulse train input type with differential line driver support	(—)	DC24V	(Standard) 1.3A rated 4.4A max. (Power-saving) 1.3A rated 2.2A max.	—	→ P631
Pulse Train Input Type (Open Collector)		ACON-PO-30I(II)-(III)-2-0	Pulse train input type with open collector support					
Serial Communication Type		ACON-SE-30I(II)-N-0-0	Dedicated Serial Communication	64 points	DC24V	(Standard) 1.3A rated 4.4A max. (Power-saving) 1.3A rated 2.2A max.	—	→ P631
Program Control Type		ASEL-CS-1-30I(II)-(III)-2-0	Programmed operation is possible. Can operate up to 2 axes	1,500 points	DC24V	(Standard) 1.3A rated 4.4A max. (Power-saving) 1.3A rated 2.2A max.	—	→ P675

\* This is for the single-axis ASEL.  
 \* (II) indicates I/O type (NP/PN).  
 \* (I) indicates encoder type (I: incremental, A: absolute)  
 \* (IV) indicates number of axes (1 to 8).  
 \* Enter the code "LA" in (II) when the power-saving option is specified.  
 \* (V) indicates field network specification symbol.

- Slider Type
- Mini
- Standard
- Controller Integrated
- Rod Type
- Mini
- Standard
- Controllers Integrated
- Table/Arm/Flat Type
- Mini
- Standard
- Gripper/Rotary Type
- Linear Servo Type
- Clean-room Type
- Splash-Proof Type
- Pulse Motor
- Servo Motor (24V)
- Servo Motor (200V)
- Linear Servo Motor